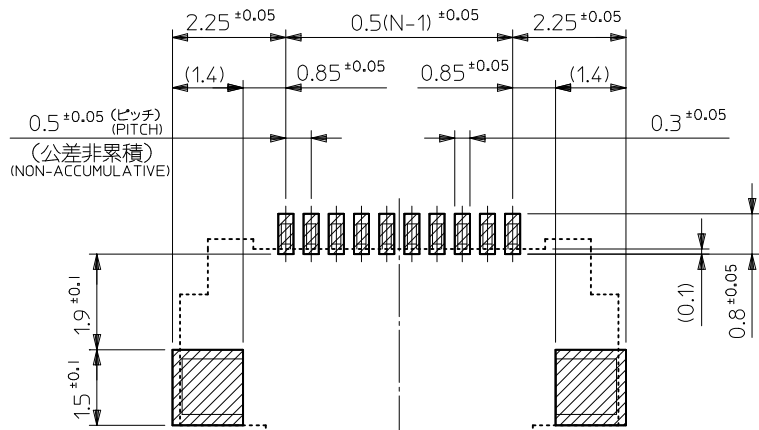


(アクチュエータが開いた状態)
(WHEN ACTUATOR IS OPENED)

30.3	30.5	32.6	29.5	33.7	51296-6093	51296-6041	60
25.3	25.5	27.6	24.5	28.7	51296-5093	4 -5041	50
22.8	23.0	25.1	22.0	26.2	51296-4593	4 -4541	45
20.3	20.5	22.6	19.5	23.7	51296-4093	-4041	40
17.3	17.5	19.6	16.5	20.7	51296-3493	-3441	34
9.3	9.5	11.6	8.5	12.7	51296-1893	-1841	18
7.3	7.5	9.6	6.5	10.7	51296-1493	7 -1441	14
6.3	6.5	8.6	5.5	9.7	51296-1293	7 -1241	12
4.3	4.5	6.6	3.5	7.7	51296-0893	51296-0841	8
E	D	C	B	A	EMBOSSED TAPE	製品番号	極数
					ORDER No. オーダー番号	MATERIAL No.	Ckt

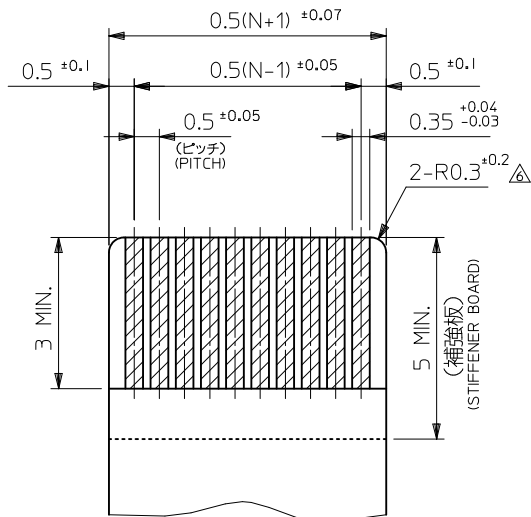
REVISED EC NO: J2011-0996 DRWN: K.MURAKAMI 2010/11/01 CHKD: APPR: K.MORIKAWA 2011/02/15	GENERAL TOLERANCES (UNLESS SPECIFIED)		DIMENSION STYLE MM ONLY		SCALE ---	DESIGN UNITS METRIC	THIRD ANGLE PROJECTION
	10 UNDER	± ---	DRAWN BY K. MURAKAMI	DATE 2004/02/06	TITLE 0.5 FPC CONN EASY ON HGT=1.3MM ASSY -LEAD FREE-		
	10 OVER 30 UNDER	± ---	CHECKED BY S. AIHARA	DATE 2004/02/06	MOLEX INCORPORATED		
	30 OVER	± ---	APPROVED BY M. SASAO	DATE 2004/02/06	DOCUMENT NO. SD-51296-007	SHEET NO. 1 OF 2	
	ANGULAR ± --- °	DRAFT WHERE APPLICABLE MUST REMAIN WITHIN DIMENSIONS		SEE TABLE			
		THIS DRAWING CONTAINS INFORMATION THAT IS PROPRIETARY TO MOLEX INCORPORATED AND SHOULD NOT BE USED WITHOUT WRITTEN PERMISSION					



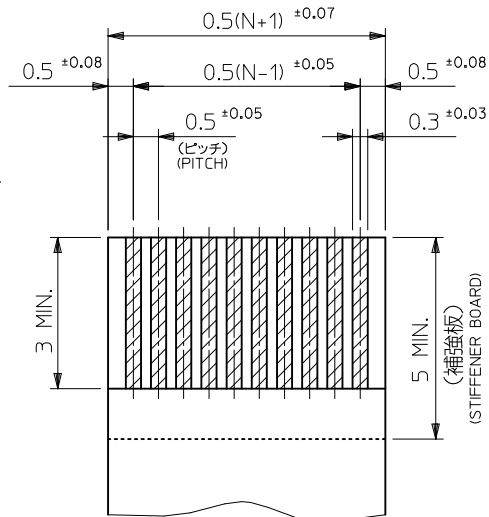
0.5 ±0.05 (ピッチ)
(公差非累積)
(NON-ACCUMULATIVE)

コネクタ位置
CONNECTOR POSITION

参考基板レイアウト
P.C. BOARD PATTERN
DIMENSION (REF.)
(マウント面)
(MOUNTING SIDE)



適合FPC推奨寸法
APPLICABLE FPC
RECOMMENDED DIMENSION
(仕上がり厚さ: 0.3 ±0.05)
(THICKNESS: 0.3 ±0.05)



適合FFC推奨寸法
APPLICABLE FFC
RECOMMENDED DIMENSION
(仕上がり厚さ: 0.3 ±0.05)
(THICKNESS: 0.3 ±0.05)

注記 NOTES

1. 使用材料 MATERIAL

ハウジング : 液晶ポリマー ガラス充填, UL94V-0 (ベージュ)
HOUSING LIQUID CRYSTAL POLYMER GLASS FILLED, UL94V-0 (BEIGE)
アクチュエータ : ポリアミド9T ガラス充填, UL94V-0 (黒)
ACTUATOR POLYAMIDE 9T GLASS FILLED, UL94V-0 (BLACK)
ターミナル : リン青銅 (t=0.18)
TERMINAL PHOSPOR BRONZE
金具 : リン青銅 (t=0.15)
FITTING NAIL PHOSPOR BRONZE

2. メッキ仕様 PLATING

ターミナル TERMINAL
錫ビスマスメッキ 1.0マイクロメートル以上
ニッケル下地 1.0マイクロメートル以上
TIN-BISMUTH (Sn-Bi) 1.0 MICROMETER MINIMUM
OVER NICKEL PLATING 1.0 MICROMETER MINIMUM
金具 FITTING NAIL
錫メッキ 1.0マイクロメートル以上
ニッケル下地 1.0マイクロメートル以上
TIN (Sn) 1.0 MICROMETER MINIMUM
OVER NICKEL (Ni) PLATING 1.0 MICROMETER MINIMUM

3. エンボステープ梱包時は、アクチュエータが閉じた状態とする。
IN THE PACKAGE, ACTUATOR OF PART NO.51296-***41 SHOULD BE CLOSED.
△ 偶数極に適用。
APPLY FOR EVEN CIRCUIT.
△ パターンはくり止め用金具
FITTING NAIL FOR PREVENTION OF PEELING OF PCB PATTERN.
△ R0.3は、FFC導体部にかからないこと。
R0.3 MUST NOT BE OVERLAPPED TO PATTERN OF FPC.
△ 極数によりハウジング形状が異なるので注意のこと。
THE HOUSING SHAPE IS DIFFERENT ACCORDING TO THE CIRCUIT.
8 本製品は51296-***31の鉛フリー製品である。
THIS PRODUCT IS LEAD FREE OF 51296-***31.

FPC/FFCについて:

打抜き方向は導体側から補強板側を推奨いたします。
導体部については軟銅箔35マイクロメートルまたは50マイクロメートルを推奨致します。
ABOUT FPC/FFC
RECOMMENDED PUNCHER DIRECTION : FROM CONDUCTOR SIDE TO STIFFENER FILM SIDE.
RECOMMENDED CONDUCTOR SPEC :
THICKNESS OF SOFT COPPER FOIL : 35 MICROMETER OR 50 MICROMETER

FPCについて:

補強フィルム材質はポリイミドを推奨します。
接着剤は熱硬化接着剤を推奨します。
ABOUT FPC
RECOMMENDED MATERIAL :
STIFFENER FILM : POLYIMIDE
BONDING AGENT : THERMOSETTING BONDING AGENT

MODEL No. 51296-***41

REVISED EC NO: J2011-0996 DRAWN: K.MURAKAMI 2010/11/01 CHKD: APPR: K.MORIKAWA 2011/02/15	GENERAL TOLERANCES (UNLESS SPECIFIED)		DIMENSION STYLE MM ONLY	SCALE ---	DESIGN UNITS METRIC	THIRD ANGLE PROJECTION
	10 UNDER	± ---	DRAWN BY K. MURAKAMI	DATE 2004/02/06	TITLE 0.5 FPC CONN EASY ON HGT=1.3MM ASSY -LEAD FREE-	
	10 OVER 30 UNDER	± ---	CHECKED BY S. AIHARA	DATE 2004/02/06	MOLEX INCORPORATED	
	30 OVER	± ---	APPROVED BY M. SASAO	DATE 2004/02/06	DOCUMENT NO. SD-51296-007	SHEET NO. 2 OF 2
	ANGULAR ± --- °	DRAFT WHERE APPLICABLE MUST REMAIN WITHIN DIMENSIONS	SIZE A3	THIS DRAWING CONTAINS INFORMATION THAT IS PROPRIETARY TO MOLEX INCORPORATED AND SHOULD NOT BE USED WITHOUT WRITTEN PERMISSION		

F

E

D

C

B

A

F

E

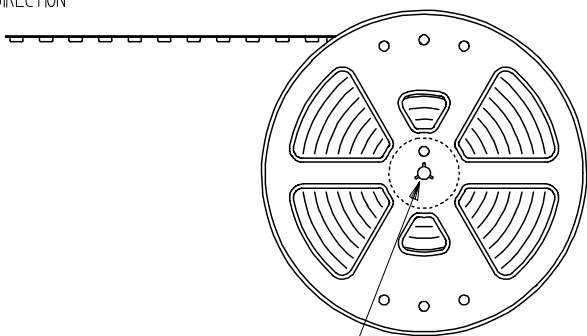
D

C

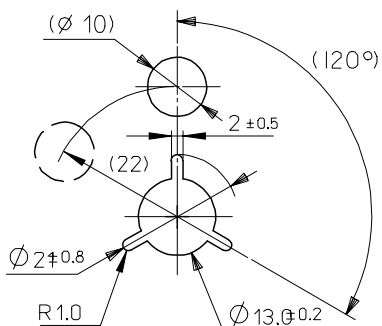
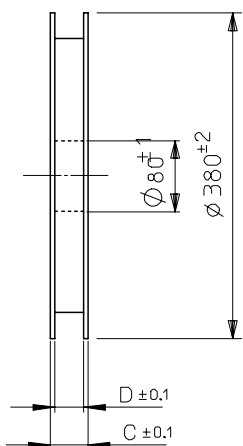
B

A

引き出し方向
PULL OUT DIRECTION



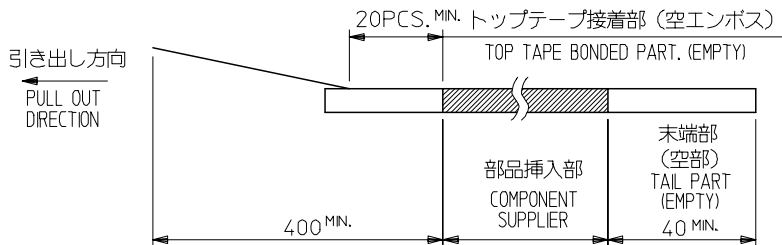
"Z"



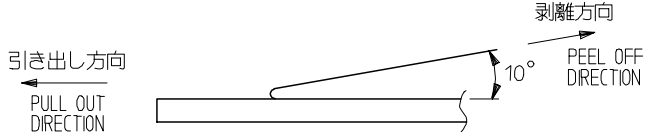
DETAIL "Z"

NOTES

- 製品詳細寸法については図面 SD-51296-007 を参照下さい。
RE DETAILED DIMENSION, SEE SD-51296-007
- 梱包数量：3000個/リール
NUMBER OF CONNECTORS : 3000PCS/REEL
- リードテープ長さ LEAD TAPE LENGTH



- トップテープの剥離強度：0.1N ~ 1.3N(10gf ~ 130gf)
(剥離方向は下図参照)
尚、本規格値は出荷時に適用。(但し、輸送時に剥離が発生しないこと。)
PEELING OFF FORCE OF TOP TAPE : 0.1N ~ 1.3N(10gf ~ 130gf)
(PEELING DIRECTION AS SHOWN IN FOLLOWING FIG.)
THIS REQUIREMENT SHOULD BE APPLIED AT SHIPMENT.
PEEL OFF SHOULD NOT BE ALLOWED , DURING TRANSPORTATION.



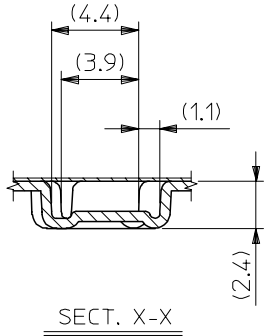
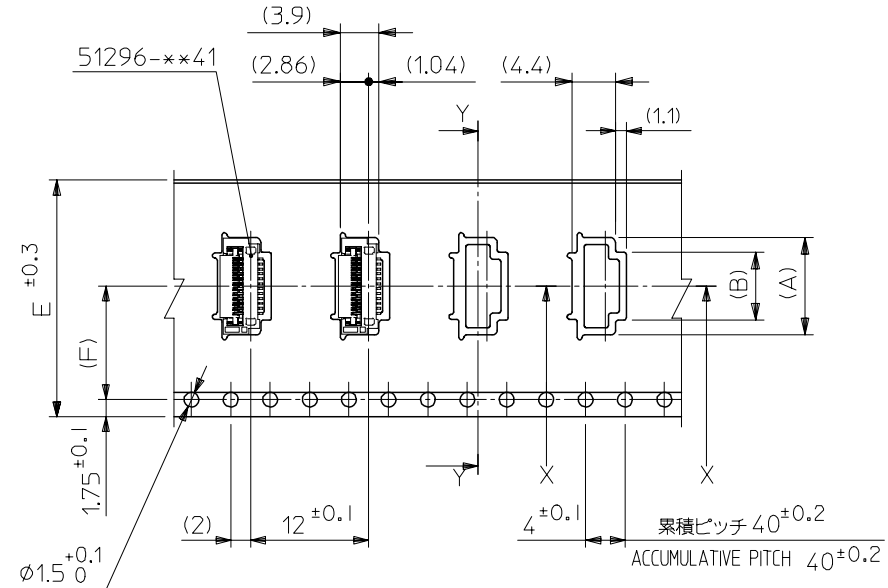
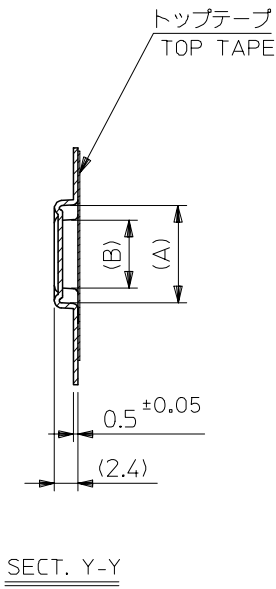
- 材料(MATERIAL)
キャリアテープ(CARRIER TAPE) : ポリプロピレン(POLYPROPYLENE)
トップテープ (TOPTAPE) : PET, PE, PEF
リール(REEL): ポリスチレン (PS) <リサイクル材を含む>
POLYSTYRENE (PS) <RECYCLE MATERIAL CONTAINED>
- 本製品は、51296-**-92 の鉛フリー製品である。
THIS PRODUCT IS LEAD FREE OF 51296-**-92.

REVISED EC NO: J2005-1696 DRWN:KONURAKA 2004/12/08 CHKD: 2004/12/08 APPR:HIRATA 2004/12/14	GENERAL TOLERANCES (UNLESS SPECIFIED)		DIMENSION STYLE MM ONLY		SCALE ---	51296-**-93 DESIGN UNITS METRIC	MODEL NO. THIRD ANGLE PROJECTION
	10 UNDER	± ---	DRAWN BY K.MURAKAMI	DATE 2004/02/06	TITLE 0.5 FPC CONN EASY ON HGT=1.3MM EMBSTP PKG -LEAD FREE-		
	10 OVER 30 UNDER	± ---	CHECKED BY S.AIHARA	DATE 2004/02/06	MOLEX INCORPORATED		
	30 OVER	± ---	APPROVED BY M.SASAO	DATE 2004/02/06	DOCUMENT NO. SD-51296-008		
	ANGULAR ± --- °	MATERIAL NO. SEE CHART		SHEET NO. 1 OF 3			
	DRAFT WHERE APPLICABLE MUST REMAIN WITHIN DIMENSIONS		SIZE A3		THIS DRAWING CONTAINS INFORMATION THAT IS PROPRIETARY TO MOLEX INCORPORATED AND SHOULD NOT BE USED WITHOUT WRITTEN PERMISSION		

10 9 8 7 6 5 4 3 2 1

F
E
D
C
B
A

引き出し方向
PULL OUT DIRECTION



11.5	24	25.4	29.4	9.89	12.9	51296-1893	18
				7.89	10.9	51296-1493	14
				6.89	9.9	51296-1293	12
7.5	16	17.4	21.4	4.89	7.9	51296-0893	8
(F)	E	D	C	(B)	(A)	製品番号 MATERIAL No	極数 Ckt

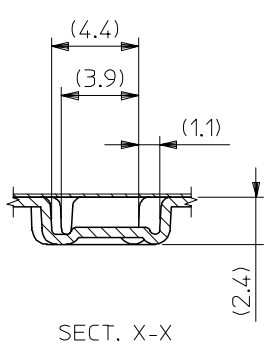
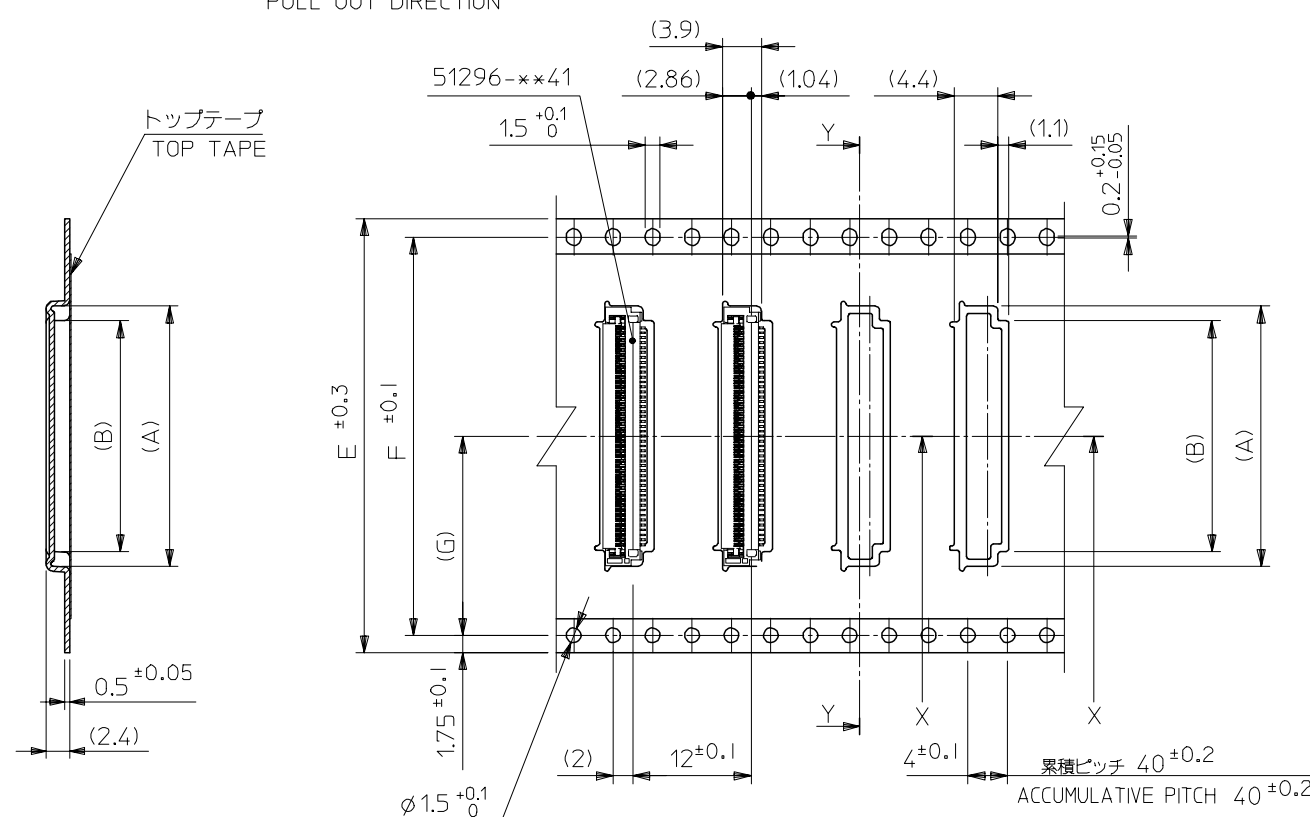
REVISED EC NO: J2005-1696 DRAWN: KOMURAKA 2004/12/08 CHKD: 2004/12/08 APPR: HIRATA 2004/12/14	GENERAL TOLERANCES (UNLESS SPECIFIED)		DIMENSION STYLE MM ONLY		SCALE ---	DESIGN UNITS METRIC	THIRD ANGLE PROJECTION
	10 UNDER	± ---	DRAWN BY DATE K.MURAKAMI 2004/02/06		TITLE 0.5 FPC CONN EASY ON HGT=1.3MM EMBSTP PKG -LEAD FREE-		
	10 OVER 30 UNDER	± ---	CHECKED BY DATE S.AIHARA 2004/02/06		MOLEX INCORPORATED		
	30 OVER	± ---	APPROVED BY DATE M.SASAO 2004/02/06		DOCUMENT NO. SD-51296-008		
	ANGULAR ± --- °		MATERIAL NO. SEE CHART		SHEET NO. 2 OF 3		
DRAFT WHERE APPLICABLE MUST REMAIN WITHIN DIMENSIONS		SIZE A3		THIS DRAWING CONTAINS INFORMATION THAT IS PROPRIETARY TO MOLEX INCORPORATED AND SHOULD NOT BE USED WITHOUT WRITTEN PERMISSION			

10 9 8 7 6 5 4 3 2 1

F
E
D
C
B
A

引き出し方向
PULL OUT DIRECTION

トップテープ
TOP TAPE



SECT. Y-Y

SECT. X-X

26.2	52.4	56	57.4	61.4	30.89	33.9	51296-6093	60
					25.89	28.9	51296-5093	50
20.2	40.4	44	45.4	49.4	23.39	26.4	51296-4593	45
					20.89	23.9	51296-4093	40
14.2	28.4	32	33.4	37.4	17.89	20.9	51296-3493	34
(G)	F	E	D	C	(B)	(A)	製品番号 MATERIAL No	極数 Ckt

REVISED EC NO: J2005-1696 DRAWN: KOMURAKA 2004/12/08 CHKD: 2004/12/08 APPR: HIRATA 2004/12/14	GENERAL TOLERANCES (UNLESS SPECIFIED)		DIMENSION STYLE MM ONLY		SCALE ---	DESIGN UNITS METRIC	THIRD ANGLE PROJECTION	
	10 UNDER	± ---	DRAWN BY K.MURAKAMI		DATE 2004/02/06		TITLE 0.5 FPC CONN EASY ON HGT=1.3MM EMBSTP PKG -LEAD FREE-	
	10 OVER 30 UNDER	± ---	CHECKED BY S.AIHARA		DATE 2004/02/06		MOLEX INCORPORATED	
	30 OVER	± ---	APPROVED BY M.SASAO		DATE 2004/02/06		DOCUMENT NO. SD-51296-008	
	ANGULAR	± --- °	MATERIAL NO.		SEE CHART		SHEET NO. 3 OF 3	
DRAFT WHERE APPLICABLE MUST REMAIN WITHIN DIMENSIONS			SIZE A3		THIS DRAWING CONTAINS INFORMATION THAT IS PROPRIETARY TO MOLEX INCORPORATED AND SHOULD NOT BE USED WITHOUT WRITTEN PERMISSION			

9 8 7 6 5 4 3 2 EN-02JA(021)