

ATOF™ 插片式保险丝 - 32 伏 / ATOF™ Blade Fuse Rated 32V

RoHS



规格 Specifications

电流额定值: 1A、2A、3A、4A、5A、7.5A、10A、15A、20A、25A、30A、35A、40A

工作电压: 32VDC

分断额定值: 1000 安培, 32VDC

工作温度范围: -40°C 至 +105°C

符合 ISO 8820-3 标准

Voltage Rating: 32 VDC
Interrupting Ratings: 1000A @ 32 VDC
Operating Temperature Range: -40°C to +105°C

Complies with ISO 8820-3.

Littelfuse 开发用于汽车行业的 ATOF™ 保险丝已成为汽车, 工程机械, 农用机械, 卡车及客车的独创的设备电路保护标准。此保险丝便于识别, 容易更换, 可指定用于各种低电压电气设备

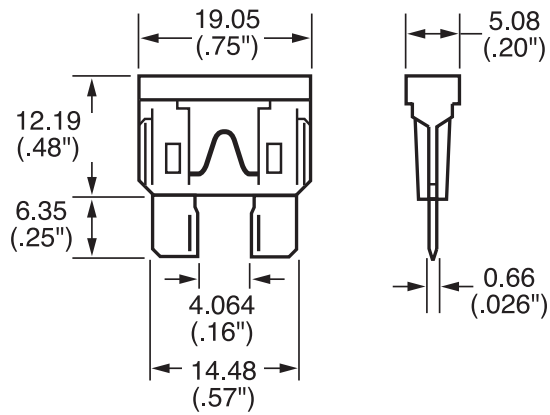
Developed by Littelfuse specifically for Off-Road Truck & Bus vehicles, the ATOF™ style fuse has become the circuit protection standard for original equipment manufacturers. Readily identifiable and easily replaced, this fuse can be specified for a variety of low voltage electronic applications. It is designed to meet the harsh vibration, temperature and chemical exposure requirements in the Off-Road Truck & Bus market.

时间-电流特性曲线 /Time-Current Characteristics

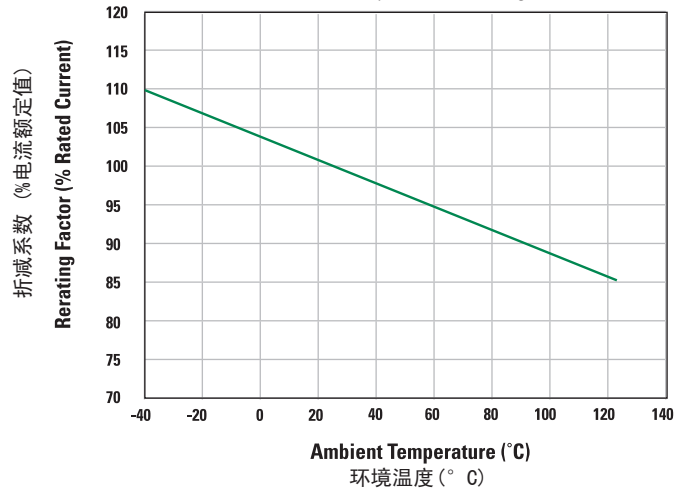
% 额定值 % of Rating	电流额定值 Current Rating	熔断时间 Opening Time Min / Max (s)
100	35-40	100 hrs / -
110	1-30	100 hrs / -
135	1-2	500 ms / 600 s
	3-40	750 ms / 600 s
200	1-2	100 ms / 5.0 s
	3-40	150 ms / 5.0 s
350	1-2	20 ms / 500 ms
	3-40	80 ms / 500 ms
600	1-30	- / 100 ms
	35-40	- / 150 ms

ATOF™ 插片式保险丝 - 32 伏 / ATOF™ Blade Fuse Rated 32V

尺寸 (mm) / Dimensions in mm



ATOF™ 保险丝温度折减曲线
ATOF™ Fuse Temperature Rerating Curve



产品料号 Part Number	电流额定值 Current Rating	外壳颜色 Housing Color	标准电压降 Typ. Voltage Drop	冷电阻 Cold Resistance	I ² t
0287001_	1 A	■	176 mV	123 mΩ	0.4 A ² s
0287002_	2 A	■	141 mV	53.5 mΩ	1.4 A ² s
0287003_	3 A	■	137 mV	31.1 mΩ	7.4 A ² s
0287004_	4 A	■	136 mV	22.8 mΩ	14 A ² s
0287005_	5 A	■	128 mV	17.85 mΩ	26 A ² s
028707.5_	7.5 A	■	116 mV	10.91 mΩ	60 A ² s
0287010_	10 A	■	109 mV	7.70 mΩ	115 A ² s
0287015_	15 A	■	102 mV	4.80 mΩ	340 A ² s
0287020_	20 A	■	98 mV	3.38 mΩ	520 A ² s
0287025_	25 A	■	92 mV	2.52 mΩ	1080 A ² s
0287030_	30 A	■	84 mV	1.97 mΩ	1510 A ² s
0287035_	35 A	■	87 mV	1.61 mΩ	2280 A ² s
0287040_	40 A	■	96 mV	1.44 mΩ	3310 A ² s