

PLEASE CHECK WWW.MOLEX.COM FOR LATEST PART INFORMATION

Part Number: [0009483036](#)
Status: **Active**
Description: 3.96mm (.156") Pitch KK® PC Board Connector, Top Entry, Polyester Connector, Gold (Au) Selective, 3 Circuits

Documents:

[3D Model](#) [Product Specification PS-08-50 \(PDF\)](#)
[Drawing \(PDF\)](#) [RoHS Certificate of Compliance \(PDF\)](#)

Agency Certification

CSA LR19980
 UL E29179

General

Product Family PCB Receptacles
 Series [41815](#)
 Application Board-to-Board
 Product Name KK®

Physical

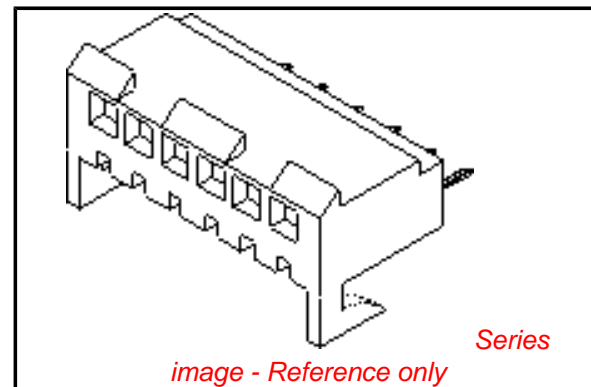
Circuits (Loaded) 3
 Color - Resin Natural
 Flammability 94V-0
 Glow-Wire Compliant No
 Lock to Mating Part Yes
 Material - Plating Mating Gold
 Material - Plating Termination Tin
 Material - Resin Polyester
 Number of Rows 1
 Orientation Vertical
 PC Tail Length (in) 0.120 In
 PC Tail Length (mm) 3.05 mm
 PCB Locator No
 PCB Retention None
 PCB Thickness Recommended (in) 0.062 In
 PCB Thickness Recommended (mm) 1.60 mm
 Packaging Type Bag
 Pitch - Mating Interface (in) 0.156 In
 Pitch - Mating Interface (mm) 3.96 mm
 Plating min: Mating (µin) 15
 Plating min: Mating (µm) 0.375
 Plating min: Termination (µin) 100
 Plating min: Termination (µm) 2.5
 Polarized to PCB No
 Temperature Range - Operating 0°C to +75°C
 Termination Interface: Style Through Hole

Electrical

Current - Maximum per Contact 5A
 Voltage - Maximum 250V

Solder Process Data

Duration at Max. Process Temperature (seconds) 5
 Lead-free Process Capability Wave Capable (TH only)
 Max. Cycles at Max. Process Temperature 1
 Process Temperature max. C 235



EU RoHS

ELV and RoHS Compliant
REACH SVHC Contains SVHC: No
Halogen-Free Status
Not Reviewed

China RoHS



Need more information on product environmental compliance?

Email productcompliance@molex.com
 For a multiple part number RoHS Certificate of Compliance, [click here](#)

Please visit the [Contact Us](#) section for any non-product compliance questions.

Search Parts in this Series
[41815Series](#)

Material Info

Old Part Number

A-41815-0468

Reference - Drawing Numbers

Product Specification

PS-08-50

Sales Drawing

SDA-41815

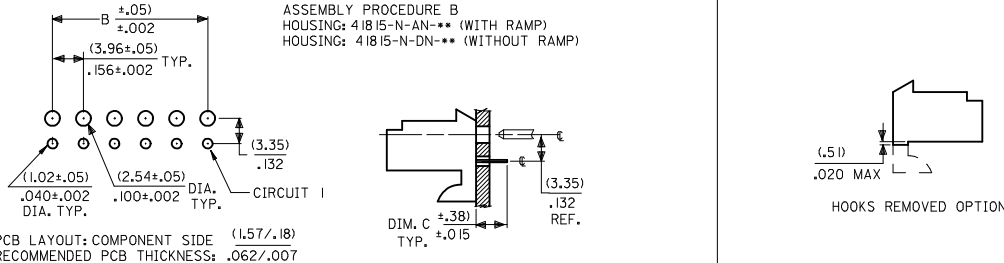
This document was generated on 04/14/2010

PLEASE CHECK WWW.MOLEX.COM FOR LATEST PART INFORMATION

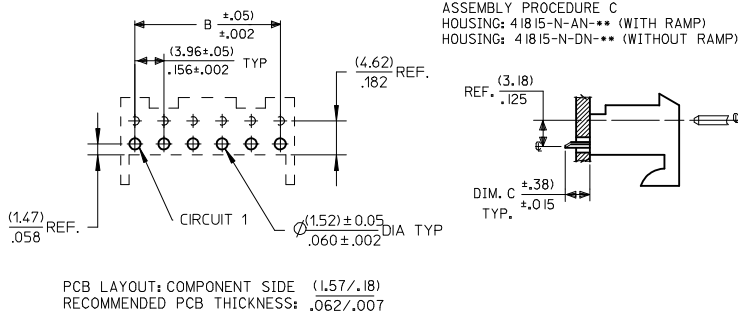
ASSEMBLY PROCEDURE A
HOUSING: 41815-N-AN-** (WITH RAMP)
HOUSING: 41815-N-DN-** (WITHOUT RAMP)



ASSEMBLY PROCEDURE B
HOUSING: 41815-N-AN-** (WITH RAMP)
HOUSING: 41815-N-DN-** (WITHOUT RAMP)



ASSEMBLY PROCEDURE C
HOUSING: 41815-N-AN-** (WITH RAMP)
HOUSING: 41815-N-DN-** (WITHOUT RAMP)



| DIM. B | DIM. A | NO. OF CKTS |
|---------------|------------------------|-------------|
| (3.96) .156 | (7.82±.25) .308±.010 | 2 |
| (7.92) .312 | (11.79±.25) .464±.010 | 3 |
| (11.89) .468 | (15.75±.25) .620±.010 | 4 |
| (15.85) .624 | (19.71±.25) .776±.010 | 5 |
| (19.81) .780 | (23.67±.25) .932±.010 | 6 |
| (23.77) .936 | (27.64±.30) 1.088±.012 | 7 |
| (27.74) 1.092 | (31.60±.25) 1.244±.012 | 8 |
| (31.70) 1.248 | (35.56±.30) 1.400±.012 | 9 |
| (35.66) 1.404 | (39.52±.30) 1.556±.012 | 10 |
| (39.62) 1.560 | (43.48±.30) 1.712±.012 | 11 |
| (43.59) 1.716 | (47.45±.30) 1.868±.012 | 12 |
| (47.55) 1.872 | (51.41±.30) 2.024±.012 | 13 |
| (51.51) 2.028 | (55.37±.36) 2.180±.014 | 14 |
| (55.47) 2.184 | (59.33±.36) 2.336±.014 | 15 |

- NOTES:
- MATERIAL: HOUSING: POLYESTER, 94V-0 COLOR: NATURAL (WHITE)
 - FINISH:
 - (102) OVERALL TIN: 0.00508/.000200 MIN OVER 0.00254/.000100 MIN COPPER.
 - (208) SELECT GOLD: 0.00038/.000015 MIN.
 - * SELECT TIN: 0.00254/.000100 MIN.
 - OVERALL NICKEL UNDERPLATE: 0.00127/.000050 MIN.
 - (228) SELECT GOLD: 0.00076/.000030 MIN.
 - * SELECT TIN: 0.00254/.000100 MIN.
 - OVERALL NICKEL UNDERPLATE: 0.00127/.000050 MIN.
 - (505) OVERALL GOLD: 0.00127/.000050 MIN OVER 0.00127/.000050 MIN NICKEL.
 - (909) OVERALL TIN: 0.00254/.000100 MIN.

- *THE PRIMARY SHIPPING CARTON WILL BE LABELED "COMPLIANT TO ROHS DIRECTIVE 2002/95/EC AND ELV ANNEX II OF DIRECTIVE 2002/53/EC". CARTONS WITHOUT THIS LABEL MAY CONTAIN PRODUCT WITH TIN-LEAD PLATING.
- 3. PRODUCT SPECIFICATION: PS-08-50
- 4. PACKAGING: SEE CHARTS
- 5. FOR TOP ENTRY AND RIGHT ANGLE ASSEMBLIES WITH LOWER INSERTION FORCE USE SINGLE BEAM CONTACT. (TERMINAL NO. 4244)
- 6. SOLDERABILITY: WHEN PARTS ARE SOLDERED AT A TEMPERATURE OF 230°C OR 446°F FOR 5 SECONDS EACH SOLDERED SURFACE SHALL BE A MINIMUM OF 95% COVERED WITH A SMOOTH CONTINUOUS ADHERENT COATING. FOR ADDITIONAL INFORMATION SEE ES-152.
- 7. PARTS ARE STACKABLE END TO END ON (3.96)/.156 €
- 8. THIS PART CONFORMS TO CLASS B REQUIREMENTS OF COSMETIC SPEC PS-45499-002.

| | | | | | | | | | | | |
|--|-------------------------------|---------------------------------------|-----------------------|---|------------------|------------------------------------|----------------------|---------------------------|----------------------|--|--|
| ADD .31 REF EC NO: WJEP2009-9850850 DRW:KMSAMIEC 2009/01/27 CHKD: 2009/01/27 APPR: JCOMERCI 2009/01/27 AM | QUALITY SYMBOLS ▽=0 ▽=0 | GENERAL TOLERANCES (UNLESS SPECIFIED) | | DIMENSION STYLE MM/IN | | SCALE INCH | DESIGN UNITS INCH | THIRD ANGLE PROJECTION | | | |
| | | 4 PLACES ± --- ± --- | 3 PLACES ± --- ± .010 | DRAWN BY SAMIEC | DATE 01/28/87 | KK 156 HOUSING PCB 41815 SERIES | | | | | |
| | | 2 PLACES ± --- ± .015 | 1 PLACE ± --- ± --- | CHECKED BY SAMIEC | DATE 01/28/87 | MOLEX INCORPORATED | | | | | |
| | | ANGULAR ±1/2° | | APPROVED BY LENZ | DATE 01/28/87 | MATERIAL NO. SEE CHART | | DOCUMENT NO. SDA-41815 | SHEET NO. 1 OF 11 | | |
| DRAFT WHERE APPLICABLE MUST REMAIN WITHIN DIMENSIONS | | | | THIS DRAWING CONTAINS INFORMATION THAT IS PROPRIETARY TO MOLEX INCORPORATED AND SHOULD NOT BE USED WITHOUT WRITTEN PERMISSION | | | | | | | |



KK 156 PCB ASSY 2-15 CKT

41815 SERIES

| | |
|--------------|-------------------|
| Assy. Proc: | RIGHT ANGLE |
| Housing No: | 41815-N-AN |
| Options | WITH RAMP |
| Terminal No: | 2144-BA-A1AA-102B |
| Term Matl: | PHOS BRONZE |
| Plating: | 102 TIN |
| Dim C: | (3.68) / .145 |
| Voids: | NONE |
| Hooks Cut: | NO |
| Packaging: | PK-41815-001 TRAY |

| | |
|--------------|-------------------|
| Assy. Proc: | RIGHT ANGLE |
| Housing No: | 41815-N-AN |
| Options | WITH RAMP |
| Terminal No: | 2144-BA-A1AA-208B |
| Term Matl: | PHOS BRONZE |
| Plating: | 208 – 15 GOLD |
| Dim C: | (3.68) / .145 |
| Voids: | NONE |
| Hooks Cut: | NO |
| Packaging: | PK-41815-001 TRAY |

| | |
|--------------|-------------------|
| Assy. Proc: | BOTTOM ENTRY |
| Housing No: | 41815-N-AN |
| Options | WITH RAMP |
| Terminal No: | 6298-1-102 |
| Term Matl: | PHOS BRONZE |
| Plating: | 102 – TIN |
| Dim C: | (3.18)/. 125 |
| Voids: | NONE |
| Hooks Cut: | NO |
| Packaging: | PK-41815-001 TRAY |

| | |
|--------------|-------------------|
| Assy. Proc: | BOTTOM ENTRY |
| Housing No: | 41815-N-AN |
| Options | WITH RAMP |
| Terminal No: | 6298-1-208 |
| Term Matl: | PHOS BRONZE |
| Plating: | 208 – 15 GOLD |
| Dim C: | (3.18)/. 125 |
| Voids: | NONE |
| Hooks Cut: | NO |
| Packaging: | PK-41815-001 TRAY |

| Ckts | Material No | Engineer Number |
|------|-------------|-----------------|
| 2 | 09-48-1024 | A-41815-0002 |
| 3 | 09-48-1034 | A-41815-0003 |
| 4 | 09-48-1044 | A-41815-0004 |
| 5 | 09-48-1054 | A-41815-0005 |
| 6 | 09-48-1064 | A-41815-0006 |
| 7 | 09-48-1074 | A-41815-0007 |
| 8 | 09-48-1084 | A-41815-0008 |
| 9 | 09-48-1094 | A-41815-0009 |
| 10 | 09-48-1104 | A-41815-0010 |
| 11 | 09-48-1114 | A-41815-0011 |
| 12 | 09-48-1124 | A-41815-0012 |
| 13 | 09-48-1134 | A-41815-0013 |
| 14 | 09-48-1144 | A-41815-0014 |
| 15 | 09-48-1154 | A-41815-0015 |

| Material No | Engineer Number |
|-------------|-----------------|
| 09-48-5024 | A-41815-0016 |
| 09-48-5034 | A-41815-0017 |
| 09-48-5044 | A-41815-0018 |
| 09-48-5054 | A-41815-0019 |
| 09-48-5064 | A-41815-0020 |
| 09-48-5074 | A-41815-0021 |
| 09-48-5084 | A-41815-0022 |
| 09-48-5094 | A-41815-0023 |
| 09-48-5104 | A-41815-0024 |
| 09-48-5114 | A-41815-0025 |
| 09-48-5124 | A-41815-0026 |
| 09-48-5134 | A-41815-0027 |
| 09-48-5144 | A-41815-0028 |
| 09-48-5154 | A-41815-0029 |

| Material No | Engineer Number |
|-------------|-----------------|
| 09-48-4029 | A-41815-0030 |
| 09-48-4039 | A-41815-0031 |
| 09-48-4049 | A-41815-0032 |
| 09-48-4059 | A-41815-0033 |
| 09-48-4069 | A-41815-0034 |
| 09-48-4079 | A-41815-0035 |
| 09-48-4089 | A-41815-0036 |
| 09-48-4099 | A-41815-0037 |
| 09-48-4109 | A-41815-0038 |
| 09-48-4119 | A-41815-0039 |
| 09-48-4129 | A-41815-0040 |
| 09-48-4139 | A-41815-0041 |
| 09-48-4149 | A-41815-0042 |
| 09-48-4159 | A-41815-0043 |

| Material No | Engineer Number |
|-------------|-----------------|
| 09-48-5026 | A-41815-0044 |
| 09-48-5036 | A-41815-0045 |
| 09-48-5046 | A-41815-0046 |
| 09-48-5056 | A-41815-0047 |
| 09-48-5066 | A-41815-0048 |
| 09-48-5076 | A-41815-0049 |
| 09-48-5086 | A-41815-0050 |
| 09-48-5096 | A-41815-0051 |
| 09-48-5106 | A-41815-0052 |
| 09-48-5116 | A-41815-0053 |
| 09-48-5126 | A-41815-0054 |
| 09-48-5136 | A-41815-0055 |
| 09-48-5146 | A-41815-0056 |
| 09-48-5156 | A-41815-0057 |

| | | | | |
|---|-----------------------------|--|--|--------------------------------------|
| REV: AL6 | ECR/ECN INFORMATION: | | TITLE: KK 156 HOUSING ASSY PCB 41815 SERIES DWG | SHEET No. - 2 - |
| | EC NO. | UCP2009-0167 | | |
| | DATE: | 10/30/2008 | | |
| DOCUMENT NUMBER: SDA-41815 | | CREATED / REVISED BY: MKIPPER | CHECKED BY: JBELL | APPROVED BY: FSMITH |



KK 156 PCB ASSY 2-15 CKT

41815 SERIES

| | |
|--------------|-------------------|
| Assy. Proc: | TOP ENTRY |
| Housing No: | 41815-N-AN |
| Options | WITH RAMP |
| Terminal No: | 2144-BA-A1AA-102B |
| Term Matl: | PHOS BRONZE |
| Plating: | 102 – TIN |
| Dim C: | (3.05) / .120 |
| Voids: | NONE |
| Hooks Cut: | NO |
| Packaging: | PK-41815-001 TRAY |

| | |
|--------------|-------------------|
| Assy. Proc: | TOP ENTRY |
| Housing No: | 41815-N-AN |
| Options | WITH RAMP |
| Terminal No: | 2144-BA-A1AA-208B |
| Term Matl: | PHOS BRONZE |
| Plating: | 208 – 15 GOLD |
| Dim C: | (3.05) / .120 |
| Voids: | NONE |
| Hooks Cut: | NO |
| Packaging: | PK-41815-001 TRAY |

| Ckts | Material No | Engineer Number |
|------|-------------|-----------------|
| 2 | 09-48-4028 | A-41815-0058 |
| 3 | 09-48-4038 | A-41815-0059 |
| 4 | 09-48-4048 | A-41815-0060 |
| 5 | 09-48-4058 | A-41815-0061 |
| 6 | 09-48-4068 | A-41815-0062 |
| 7 | 09-48-4078 | A-41815-0063 |
| 8 | 09-48-4088 | A-41815-0064 |
| 9 | 09-48-4098 | A-41815-0065 |
| 10 | 09-48-4108 | A-41815-0066 |
| 11 | 09-48-4118 | A-41815-0067 |
| 12 | 09-48-4128 | A-41815-0068 |
| 13 | 09-48-4138 | A-41815-0069 |
| 14 | 09-48-4148 | A-41815-0070 |
| 15 | 09-48-4158 | A-41815-0071 |

| Material No | Engineer Number |
|-------------|-----------------|
| 09-48-5025 | A-41815-0072 |
| 09-48-5035 | A-41815-0073 |
| 09-48-5045 | A-41815-0074 |
| 09-48-5055 | A-41815-0075 |
| 09-48-5065 | A-41815-0076 |
| 09-48-5075 | A-41815-0077 |
| 09-48-5085 | A-41815-0078 |
| 09-48-5095 | A-41815-0079 |
| 09-48-5105 | A-41815-0080 |
| 09-48-5115 | A-41815-0081 |
| 09-48-5125 | A-41815-0082 |
| 09-48-5135 | A-41815-0083 |
| 09-48-5145 | A-41815-0084 |
| 09-48-5155 | A-41815-0085 |

| | | | | |
|---|-----------------------------|--|--|--------------------------------------|
| REV: AL6 | ECR/ECN INFORMATION: | | TITLE: KK 156 HOUSING ASSY PCB 41815 SERIES DWG | <u>SHEET No.</u> |
| | EC NO. | UCP2009-0167 | | - 3 - |
| | DATE: | 10/30/2008 | | |
| DOCUMENT NUMBER: SDA-41815 | | CREATED / REVISED BY: MKIPPER | CHECKED BY: JBELL | APPROVED BY: FSMITH |



KK 156 PCB ASSY 2-15 CKT

41815 SERIES

| | |
|--------------|-------------------|
| Assy. Proc: | BOTTOM ENTRY |
| Housing No: | 41815-N-AN |
| Options | WITH RAMP |
| Terminal No: | 2188-1-P909 |
| Term Matl: | BRASS |
| Plating: | P909 – TIN |
| Dim C: | (3.18) / .125 |
| Voids: | NONE |
| Hooks Cut: | NO |
| Packaging: | PK-41815-001 TRAY |

| | |
|--------------|--------------------|
| Assy. Proc: | TOP ENTRY |
| Housing No: | 41815-N-AN |
| Options | WITH RAMP |
| Terminal No: | 2144-AA-A1AA-P909B |
| Term Matl: | BRASS |
| Plating: | P909 – TIN |
| Dim C: | (3.05) / .120 |
| Voids: | NONE |
| Hooks Cut: | YES |
| Packaging: | PK-41815-001 TRAY |

| | |
|--------------|-------------------|
| Assy. Proc: | RIGHT ANGLE |
| Housing No: | 41815-N-AN |
| Options | WITH RAMP |
| Terminal No: | 2144-AA-A1AA-122B |
| Term Matl: | BRASS |
| Plating: | 122 – TIN |
| Dim C: | (3.68) / .145 |
| Voids: | NONE |
| Hooks Cut: | NO |
| Packaging: | PK-41815-001 TRAY |

| | |
|--------------|-------------------|
| Assy. Proc: | BOTTOM ENTRY |
| Housing No: | 41815-N-AN |
| Options | WITH RAMP |
| Terminal No: | 2188-1-102 |
| Term Matl: | BRASS |
| Plating: | 102 – TIN |
| Dim C: | (3.18) / .125 |
| Voids: | NONE |
| Hooks Cut: | NO |
| Packaging: | PK-41815-001 TRAY |

| Ckts | Material No | Engineer Number |
|------|-------------|-----------------|
| 2 | 09-48-2022 | A-41815-0100 |
| 3 | 09-48-2032 | A-41815-0101 |
| 4 | 09-48-2042 | A-41815-0102 |
| 5 | 09-48-2052 | A-41815-0103 |
| 6 | 09-48-2062 | A-41815-0104 |
| 7 | 09-48-2072 | A-41815-0105 |
| 8 | 09-48-2082 | A-41815-0106 |
| 9 | 09-48-2092 | A-41815-0107 |
| 10 | 09-48-2102 | A-41815-0108 |
| 11 | 09-48-2112 | A-41815-0109 |
| 12 | 09-48-2122 | A-41815-0110 |
| 13 | 09-48-2132 | A-41815-0111 |
| 14 | 09-48-2142 | A-41815-0112 |
| 15 | 09-48-2152 | A-41815-0113 |

| Material No | Engineer Number |
|-------------|-----------------|
| 09-48-2025 | A-41815-0114 |
| 09-48-2035 | A-41815-0115 |
| 09-48-2045 | A-41815-0116 |
| 09-48-2055 | A-41815-0117 |
| 09-48-2065 | A-41815-0118 |
| 09-48-2075 | A-41815-0119 |
| 09-48-2085 | A-41815-0120 |
| 09-48-2095 | A-41815-0121 |
| 09-48-2105 | A-41815-0122 |
| 09-48-2115 | A-41815-0123 |
| 09-48-2125 | A-41815-0124 |
| 09-48-2135 | A-41815-0125 |
| 09-48-2145 | A-41815-0126 |
| 09-48-2155 | A-41815-0127 |

| Material No | Engineer Number |
|-------------|-----------------|
| 41815-0128 | A-41815-0128 |
| 41815-0129 | A-41815-0129 |
| 41815-0130 | A-41815-0130 |
| 41815-0131 | A-41815-0131 |
| 41815-0132 | A-41815-0132 |
| 41815-0133 | A-41815-0133 |
| 41815-0134 | A-41815-0134 |
| 41815-0135 | A-41815-0135 |
| 41815-0136 | A-41815-0136 |
| 41815-0137 | A-41815-0137 |
| 09-48-1122 | A-41815-0138 |
| 41815-0139 | A-41815-0139 |
| 41815-0140 | A-41815-0140 |
| 41815-0141 | A-41815-0141 |

| Material No | Engineer Number |
|-------------|-----------------|
| 09-48-4022 | A-41815-0142 |
| 09-48-4032 | A-41815-0143 |
| 09-48-4042 | A-41815-0144 |
| 09-48-4052 | A-41815-0145 |
| 09-48-4062 | A-41815-0146 |
| 09-48-4072 | A-41815-0147 |
| 09-48-4082 | A-41815-0148 |
| 09-48-4092 | A-41815-0149 |
| 09-48-4102 | A-41815-0150 |
| 09-48-4112 | A-41815-0151 |
| 09-48-4122 | A-41815-0152 |
| 09-48-4132 | A-41815-0153 |
| 09-48-4142 | A-41815-0154 |
| 09-48-4152 | A-41815-0155 |

| | | | | |
|---|-----------------------------|--|--|--------------------------------------|
| REV: AL6 | ECR/ECN INFORMATION: | | TITLE: KK 156 HOUSING ASSY PCB 41815 SERIES DWG | SHEET No. - 4 - |
| | EC NO. | UCP2009-0167 | | |
| | DATE: | 10/30/2008 | | |
| DOCUMENT NUMBER: SDA-41815 | | CREATED / REVISED BY: MKIPPER | CHECKED BY: JBELL | APPROVED BY: FSMITH |



KK 156 PCB ASSY 2-15 CKT

41815 SERIES

| | | | | | | | |
|--------------|--|--------------|-------------------|--------------|-------------------|--------------|--------------------|
| Assy. Proc: | | Assy. Proc: | BOTTOM ENTRY | Assy. Proc: | BOTTOM ENTRY | Assy. Proc: | RIGHT ANGLE |
| Housing No: | | Housing No: | 41815-N-AN | Housing No: | 41815-N-AN | Housing No: | 41815-N-AN |
| Options | | Options | WITH RAMP | Options | WITH RAMP | Options | WITH RAMP |
| Terminal No: | | Terminal No: | 6298-1-102 | Terminal No: | 2188-1-228 | Terminal No: | 2144-AA-A1AA-P909B |
| Term Matl: | | Term Matl: | PHOS BRONZE | Term Matl: | BRASS | Term Matl: | BRASS |
| Plating: | | Plating: | 102 – TIN | Plating: | 228 – GOLD | Plating: | P909 – TIN |
| Dim C: | | Dim C: | (4.60) / .160 | Dim C: | (3.18) / .125 | Dim C: | (3.68) / .145 |
| Voids: | | Voids: | NONE | Voids: | NONE | Voids: | NONE |
| Hooks Cut: | | Hooks Cut: | NO | Hooks Cut: | NO | Hooks Cut: | NO |
| Packaging: | | Packaging: | PK-41815-001 TRAY | Packaging: | PK-41815-001 TRAY | Packaging: | PK-41815-001 TRAY |

| Ckts | Material No | Engineer Number | Material No | Engineer Number | Material No | Engineer Number | Material No | Engineer Number |
|------|-------------|-----------------|-------------|-----------------|-------------|-----------------|-------------|-----------------|
| 2 | | | 09-48-4021 | A-41815-0170 | 41815-0184 | A-41815-0184 | 09-48-2021 | A-41815-0198 |
| 3 | | | 09-48-4031 | A-41815-0171 | 09-48-5030 | A-41815-0185 | 09-48-2031 | A-41815-0199 |
| 4 | | | 09-48-4041 | A-41815-0172 | 09-48-5040 | A-41815-0186 | 09-48-2041 | A-41815-0200 |
| 5 | | | 09-48-4051 | A-41815-0173 | 09-48-5050 | A-41815-0187 | 09-48-2051 | A-41815-0201 |
| 6 | | | 09-48-4061 | A-41815-0174 | 41815-0188 | A-41815-0188 | 09-48-2061 | A-41815-0202 |
| 7 | | | 09-48-4071 | A-41815-0175 | 41815-0189 | A-41815-0189 | 09-48-2071 | A-41815-0203 |
| 8 | | | 09-48-4081 | A-41815-0176 | 09-48-5090 | A-41815-0190 | 09-48-2081 | A-41815-0204 |
| 9 | | | 09-48-4091 | A-41815-0177 | 41815-0191 | A-41815-0191 | 09-48-2091 | A-41815-0205 |
| 10 | | | 09-48-4101 | A-41815-0178 | 09-48-5100 | A-41815-0192 | 09-48-2101 | A-41815-0206 |
| 11 | | | 09-48-4111 | A-41815-0179 | 41815-0193 | A-41815-0193 | 09-48-2111 | A-41815-0207 |
| 12 | | | 09-48-4121 | A-41815-0180 | 41815-0194 | A-41815-0194 | 09-48-2121 | A-41815-0208 |
| 13 | | | 09-48-4131 | A-41815-0181 | 41815-0195 | A-41815-0195 | 09-48-2131 | A-41815-0209 |
| 14 | | | 09-48-4141 | A-41815-0182 | 41815-0196 | A-41815-0196 | 09-48-2141 | A-41815-0210 |
| 15 | | | 09-48-4151 | A-41815-0183 | 41815-0197 | A-41815-0197 | 09-48-2151 | A-41815-0211 |

| | | | | | |
|-------------------------|-----------------------------|--------------|------------------------------|---|---------------------|
| REV: | ECR/ECN INFORMATION: | | TITLE: | KK 156 HOUSING ASSY PCB 41815 SERIES DWG | SHEET No. |
| AL6 | EC NO. | UCP2009-0167 | | | - 5 - |
| | DATE: | 10/30/2008 | | | |
| DOCUMENT NUMBER: | | | CREATED / REVISED BY: | CHECKED BY: | APPROVED BY: |
| SDA-41815 | | | MKIPPER | JBELL | FSMITH |



KK 156 PCB ASSY 2-15 CKT

41815 SERIES

| | |
|--------------|-------------------|
| Assy. Proc: | RIGHT ANGLE |
| Housing No: | 41815-N-AN |
| Options | WITH RAMP |
| Terminal No: | 2144-AA-A1AA-228B |
| Term Matl: | BRASS |
| Plating: | 228 – GOLD |
| Dim C: | (3.68) / .145 |
| Voids: | NONE |
| Hooks Cut: | NO |
| Packaging: | PK-41815-001 TRAY |

| | |
|--------------|-------------------|
| Assy. Proc: | BOTTOM ENTRY |
| Housing No: | 41815-N-DN |
| Options | NO RAMPS |
| Terminal No: | 2188-P909 |
| Term Matl: | BRASS |
| Plating: | P909 – TIN |
| Dim C: | (4.06) / .160 |
| Voids: | NONE |
| Hooks Cut: | YES |
| Packaging: | PK-41815-001 TRAY |

| | |
|--------------|-------------------|
| Assy. Proc: | RIGHT ANGLE |
| Housing No: | 41815-N-AN |
| Options | WITH RAMP |
| Terminal No: | 2144-AA-A1AA-505B |
| Term Matl: | BRASS |
| Plating: | 505 – GOLD |
| Dim C: | (3.68) / .145 |
| Voids: | NONE |
| Hooks Cut: | NO |
| Packaging: | PK-41815-001 TRAY |

| | |
|--------------|--------------------|
| Assy. Proc: | TOP ENTRY |
| Housing No: | 41815-N-DN |
| Options | NO RAMPS |
| Terminal No: | 2144-AA-A1AA-P909B |
| Term Matl: | BRASS |
| Plating: | P909 – TIN |
| Dim C: | (3.05) / .120 |
| Voids: | NONE |
| Hooks Cut: | NO |
| Packaging: | PK-41815-001 TRAY |

| Ckts | Material No | Engineer Number | Material No | Engineer Number | Material No | Engineer Number | Material No | Engineer Number |
|------|-------------|-----------------|-------------|-----------------|-------------|-----------------|-------------|-----------------|
| 2 | 09-48-5023 | A-41815-0313 | 41815-0327 | A-41815-0327 | 41815-0341 | A-41815-0341 | 41815-0355 | A-41815-0355 |
| 3 | 09-48-5033 | A-41815-0314 | 41815-0328 | A-41815-0328 | 09-48-3037 | A-41815-0342 | 41815-0356 | A-41815-0356 |
| 4 | 09-48-5043 | A-41815-0315 | 41815-0329 | A-41815-0329 | 41815-0343 | A-41815-0343 | 09-48-2047 | A-41815-0357 |
| 5 | 09-48-5053 | A-41815-0316 | 09-48-2056 | A-41815-0330 | 41815-0344 | A-41815-0344 | 41815-0358 | A-41815-0358 |
| 6 | 09-48-5063 | A-41815-0317 | 41815-0331 | A-41815-0331 | 41815-0345 | A-41815-0345 | 41815-0359 | A-41815-0359 |
| 7 | 09-48-5073 | A-41815-0318 | 41815-0332 | A-41815-0332 | 41815-0346 | A-41815-0346 | 41815-0360 | A-41815-0360 |
| 8 | 09-48-5083 | A-41815-0319 | 09-48-2086 | A-41815-0333 | 41815-0347 | A-41815-0347 | 41815-0361 | A-41815-0361 |
| 9 | 09-48-5093 | A-41815-0320 | 41815-0334 | A-41815-0334 | 41815-0348 | A-41815-0348 | 41815-0362 | A-41815-0362 |
| 10 | 09-48-5103 | A-41815-0321 | 09-48-2106 | A-41815-0335 | 41815-0349 | A-41815-0349 | 09-48-2107 | A-41815-0363 |
| 11 | 09-48-5113 | A-41815-0322 | 41815-0336 | A-41815-0336 | 41815-0350 | A-41815-0350 | 41815-0364 | A-41815-0364 |
| 12 | 09-48-5123 | A-41815-0323 | 41815-0337 | A-41815-0337 | 41815-0351 | A-41815-0351 | 41815-0365 | A-41815-0365 |
| 13 | 09-48-5133 | A-41815-0324 | 41815-0338 | A-41815-0338 | 41815-0352 | A-41815-0352 | 41815-0366 | A-41815-0366 |
| 14 | 09-48-5143 | A-41815-0325 | 41815-0339 | A-41815-0339 | 41815-0353 | A-41815-0353 | 41815-0367 | A-41815-0367 |
| 15 | 09-48-5153 | A-41815-0326 | 41815-0340 | A-41815-0340 | 41815-0354 | A-41815-0354 | 41815-0368 | A-41815-0368 |

| | | | | |
|---|-----------------------------|--|--|--------------------------------------|
| REV: AL6 | ECR/ECN INFORMATION: | | TITLE: KK 156 HOUSING ASSY PCB 41815 SERIES DWG | SHEET No. - 6 - |
| | EC NO. | UCP2009-0167 | | |
| | DATE: | 10/30/2008 | | |
| DOCUMENT NUMBER: SDA-41815 | | CREATED / REVISED BY: MKIPPER | CHECKED BY: JBELL | APPROVED BY: FSMITH |



KK 156 PCB ASSY 2-15 CKT

41815 SERIES

| | |
|--------------|-------------------|
| Assy. Proc: | RIGHT ANGLE |
| Housing No: | 41815-N-AN |
| Options | WITH RAMP |
| Terminal No: | 4244-A-102A |
| Term Matl: | PHOS BRONZE |
| Plating: | 102 – TIN |
| Dim C: | (3.68) / .145 |
| Voids: | NONE |
| Hooks Cut: | NO |
| Packaging: | PK-41815-001 TRAY |

| | |
|--------------|-------------------|
| Assy. Proc: | BOTTOM ENTRY |
| Housing No: | 41815-N-AN |
| Options | WITH RAMP |
| Terminal No: | 2188-1-122 |
| Term Matl: | BRASS |
| Plating: | TIN – 122 |
| Dim C: | (3.18) / .125 |
| Voids: | NONE |
| Hooks Cut: | NO |
| Packaging: | PK-41815-001 TRAY |

| | |
|--------------|-------------------|
| Assy. Proc: | RIGHT ANGLE |
| Housing No: | 41815-N-AN |
| Options | WITH RAMP |
| Terminal No: | 2144-AA-A1AA-208B |
| Term Matl: | BRASS |
| Plating: | 208 – 15 GOLD |
| Dim C: | (3.68) / .145 |
| Voids: | NONE |
| Hooks Cut: | NO |
| Packaging: | PK-41815-001 TRAY |

| | |
|--------------|-------------------|
| Assy. Proc: | BOTTOM ENTRY |
| Housing No: | 41815-N-AN |
| Options | WITH RAMP |
| Terminal No: | 2188-1-208 |
| Term Matl: | BRASS |
| Plating: | 208 – 15 GOLD |
| Dim C: | (3.18) / .125 |
| Voids: | NONE |
| Hooks Cut: | NO |
| Packaging: | PK-41815-001 TRAY |

| Ckts | Material No | Engineer Number | Material No | Engineer Number | Material No | Engineer Number | Material No | Engineer Number |
|------|-------------|-----------------|-------------|-----------------|-------------|-----------------|-------------|-----------------|
| 2 | 09-48-1023 | A-41815-0369 | 09-48-4025 | A-41815-0383 | 09-48-3025 | A-41815-0425 | 09-48-3024 | A-41815-0439 |
| 3 | 09-48-1033 | A-41815-0370 | 09-48-4035 | A-41815-0384 | 09-48-3035 | A-41815-0426 | 09-48-3034 | A-41815-0440 |
| 4 | 09-48-1043 | A-41815-0371 | 09-48-4045 | A-41815-0385 | 09-48-3045 | A-41815-0427 | 09-48-3044 | A-41815-0441 |
| 5 | 09-48-1053 | A-41815-0372 | 09-48-4055 | A-41815-0386 | 09-48-3055 | A-41815-0428 | 09-48-3054 | A-41815-0442 |
| 6 | 09-48-1063 | A-41815-0373 | 09-48-4065 | A-41815-0387 | 09-48-3065 | A-41815-0429 | 09-48-3064 | A-41815-0443 |
| 7 | 09-48-1073 | A-41815-0374 | 09-48-4075 | A-41815-0388 | 09-48-3075 | A-41815-0430 | 09-48-3074 | A-41815-0444 |
| 8 | 09-48-1083 | A-41815-0375 | 09-48-4085 | A-41815-0389 | 09-48-3085 | A-41815-0431 | 09-48-3084 | A-41815-0445 |
| 9 | 09-48-1093 | A-41815-0376 | 09-48-4095 | A-41815-0390 | 09-48-3095 | A-41815-0432 | 09-48-3094 | A-41815-0446 |
| 10 | 09-48-1103 | A-41815-0377 | 09-48-4105 | A-41815-0391 | 09-48-3105 | A-41815-0433 | 09-48-3104 | A-41815-0447 |
| 11 | 09-48-1113 | A-41815-0378 | 09-48-4115 | A-41815-0392 | 09-48-3115 | A-41815-0434 | 09-48-3114 | A-41815-0448 |
| 12 | 09-48-1123 | A-41815-0379 | 09-48-4125 | A-41815-0393 | 09-48-3125 | A-41815-0435 | 09-48-3124 | A-41815-0449 |
| 13 | 09-48-1133 | A-41815-0380 | 09-48-4135 | A-41815-0394 | 09-48-3135 | A-41815-0436 | 09-48-3134 | A-41815-0450 |
| 14 | 09-48-1143 | A-41815-0381 | 09-48-4145 | A-41815-0395 | 09-48-3145 | A-41815-0437 | 09-48-3144 | A-41815-0451 |
| 15 | 09-48-1153 | A-41815-0382 | 09-48-4155 | A-41815-0396 | 09-48-3155 | A-41815-0438 | 09-48-3154 | A-41815-0452 |

| | | | | |
|---|-----------------------------|--|--|--------------------------------------|
| REV: AL6 | ECR/ECN INFORMATION: | | TITLE: KK 156 HOUSING ASSY PCB 41815 SERIES DWG | SHEET No. - 7 - |
| | EC NO. | UCP2009-0167 | | |
| | DATE: | 10/30/2008 | | |
| DOCUMENT NUMBER: SDA-41815 | | CREATED / REVISED BY: MKIPPER | CHECKED BY: JBELL | APPROVED BY: FSMITH |



KK 156 PCB ASSY 2-15 CKT

41815 SERIES

| | |
|--------------|--------------------|
| Assy. Proc: | TOP ENTRY |
| Housing No: | 41815-N-AN |
| Options | WITH RAMP |
| Terminal No: | 2144-AA-A1AA-P909B |
| Term Matl: | BRASS |
| Plating: | P909 – TIN |
| Dim C: | (3.05) / .120 |
| Voids: | NONE |
| Hooks Cut: | NO |
| Packaging: | PK-41815-001 TRAY |

| | |
|--------------|-------------------|
| Assy. Proc: | TOP ENTRY |
| Housing No: | 41815-N-AN |
| Options | WITH RAMP |
| Terminal No: | 2144-AA-A1AA-208B |
| Term Matl: | BRASS |
| Plating: | 208 – 15 GOLD |
| Dim C: | (3.05) / .120 |
| Voids: | NONE |
| Hooks Cut: | NO |
| Packaging: | PK-41815-001 TRAY |

| | |
|--------------|--------------------|
| Assy. Proc: | RIGHT ANGLE |
| Housing No: | 41815-N-AN |
| Options | WITH RAMP |
| Terminal No: | 2144-BA-A1AA-P909B |
| Term Matl: | PHOS BRONZE |
| Plating: | P909 – TIN |
| Dim C: | (3.68) / .145 |
| Voids: | NONE |
| Hooks Cut: | NO |
| Packaging: | PK-41815-001 TRAY |

| | |
|--------------|-------------------|
| Assy. Proc: | BOTTOM ENTRY |
| Housing No: | 41815-N-AN |
| Options | WITH RAMP |
| Terminal No: | 6298-1-P909 |
| Term Matl: | PHOS BRONZE |
| Plating: | P909 – TIN |
| Dim C: | (3.18) / .125 |
| Voids: | NONE |
| Hooks Cut: | NO |
| Packaging: | PK-41815-001 TRAY |

| Ckts | Material No | Engineer Number | Material No | Engineer Number | Material No | Engineer Number | Material No | Engineer Number |
|------|-------------|-----------------|-------------|-----------------|-------------|-----------------|-------------|-----------------|
| 2 | 09-48-2023 | A-41815-0453 | 09-48-3026 | A-41815-0467 | 09-48-2020 | A-41815-0481 | 09-48-2029 | A-41815-0495 |
| 3 | 09-48-2033 | A-41815-0454 | 09-48-3036 | A-41815-0468 | 09-48-2030 | A-41815-0482 | 09-48-2039 | A-41815-0496 |
| 4 | 09-48-2043 | A-41815-0455 | 09-48-3046 | A-41815-0469 | 09-48-2040 | A-41815-0483 | 09-48-2049 | A-41815-0497 |
| 5 | 09-48-2053 | A-41815-0456 | 09-48-3056 | A-41815-0470 | 09-48-2050 | A-41815-0484 | 09-48-2059 | A-41815-0498 |
| 6 | 09-48-2063 | A-41815-0457 | 09-48-3066 | A-41815-0471 | 09-48-2060 | A-41815-0485 | 09-48-2069 | A-41815-0499 |
| 7 | 09-48-2073 | A-41815-0458 | 09-48-3076 | A-41815-0472 | 09-48-2070 | A-41815-0486 | 09-48-2079 | A-41815-0500 |
| 8 | 09-48-2083 | A-41815-0459 | 09-48-3086 | A-41815-0473 | 09-48-2080 | A-41815-0487 | 09-48-2089 | A-41815-0501 |
| 9 | 09-48-2093 | A-41815-0460 | 09-48-3096 | A-41815-0474 | 09-48-2090 | A-41815-0488 | 09-48-2099 | A-41815-0502 |
| 10 | 09-48-2103 | A-41815-0461 | 09-48-3106 | A-41815-0475 | 09-48-2100 | A-41815-0489 | 09-48-2109 | A-41815-0503 |
| 11 | 09-48-2113 | A-41815-0462 | 09-48-3116 | A-41815-0476 | 09-48-2110 | A-41815-0490 | 09-48-2119 | A-41815-0504 |
| 12 | 09-48-2123 | A-41815-0463 | 09-48-3126 | A-41815-0477 | 09-48-2120 | A-41815-0491 | 09-48-2129 | A-41815-0505 |
| 13 | 09-48-2133 | A-41815-0464 | 09-48-3136 | A-41815-0478 | 09-48-2130 | A-41815-0492 | 09-48-2139 | A-41815-0506 |
| 14 | 09-48-2143 | A-41815-0465 | 09-48-3146 | A-41815-0479 | 09-48-2140 | A-41815-0493 | 09-48-2149 | A-41815-0507 |
| 15 | 09-48-2153 | A-41815-0466 | 09-48-3156 | A-41815-0480 | 09-48-2150 | A-41815-0494 | 09-48-2159 | A-41815-0508 |

| | | | | |
|---|-----------------------------|--|--|--------------------------------------|
| REV: AL6 | ECR/ECN INFORMATION: | | TITLE: KK 156 HOUSING ASSY PCB 41815 SERIES DWG | SHEET No. - 8 - |
| | EC NO. | UCP2009-0167 | | |
| | DATE: | 10/30/2008 | | |
| DOCUMENT NUMBER: SDA-41815 | | CREATED / REVISED BY: MKIPPER | CHECKED BY: JBELL | APPROVED BY: FSMITH |



KK 156 PCB ASSY 2-15 CKT

41815 SERIES

| | |
|--------------|--------------------|
| Assy. Proc: | TOP ENTRY |
| Housing No: | 41815-N-AN |
| Options | WITH RAMP |
| Terminal No: | 2144-BA-A1AA-P909B |
| Term Matl: | PHOS BRONZE |
| Plating: | P909 – TIN |
| Dim C: | (3.05) / .120 |
| Voids: | NONE |
| Hooks Cut: | NO |
| Packaging: | PK-41815-001 TRAY |

| | |
|--------------|-------------------|
| Assy. Proc: | TOP ENTRY |
| Housing No: | 41815-N-AN |
| Options | WITH RAMP |
| Terminal No: | 2144-BA-A1AA-102B |
| Term Matl: | PHOS BRONZE |
| Plating: | 102 – TIN |
| Dim C: | (3.05) / .120 |
| Voids: | NONE |
| Hooks Cut: | YES |
| Packaging: | PK-41815-001 TRAY |

| | |
|--------------|-------------------|
| Assy. Proc: | TOP ENTRY |
| Housing No: | 41815-N-AN |
| Options | WITH RAMP |
| Terminal No: | 2144-BA-A1AA-208B |
| Term Matl: | PHOS BRONZE |
| Plating: | 208 – 15 GOLD |
| Dim C: | (3.05) / .120 |
| Voids: | NONE |
| Hooks Cut: | YES |
| Packaging: | PK-41815-001 TRAY |

| | |
|--------------|-------------------|
| Assy. Proc: | BOTTOM ENTRY |
| Housing No: | 41815-N-AN |
| Options | WITH RAMP |
| Terminal No: | 2188-1-208 |
| Term Matl: | BRASS |
| Plating: | 208 – 15 GOLD |
| Dim C: | (3.18) / .125 |
| Voids: | TERMINAL VOID 2 |
| Hooks Cut: | NO |
| Packaging: | PK-41815-001 TRAY |

| Ckts | Material No | Engineer Number |
|------|-------------|-----------------|
| 2 | 09-48-2028 | A-41815-0509 |
| 3 | 09-48-2038 | A-41815-0510 |
| 4 | 09-48-2048 | A-41815-0511 |
| 5 | 09-48-2058 | A-41815-0512 |
| 6 | 09-48-2068 | A-41815-0513 |
| 7 | 09-48-2078 | A-41815-0514 |
| 8 | 09-48-2088 | A-41815-0515 |
| 9 | 09-48-2098 | A-41815-0516 |
| 10 | 09-48-2108 | A-41815-0517 |
| 11 | 09-48-2118 | A-41815-0518 |
| 12 | 09-48-2128 | A-41815-0519 |
| 13 | 09-48-2138 | A-41815-0520 |
| 14 | 09-48-2148 | A-41815-0521 |
| 15 | 09-48-2158 | A-41815-0522 |

| Material No | Engineer Number |
|-------------|-----------------|
| 09-48-5028 | A-41815-0523 |
| 09-48-5038 | A-41815-0524 |
| 09-48-5048 | A-41815-0525 |
| 09-48-5058 | A-41815-0526 |
| 09-48-5068 | A-41815-0527 |
| 09-48-5078 | A-41815-0528 |
| 09-48-5088 | A-41815-0529 |
| 09-48-5098 | A-41815-0530 |
| 09-48-5108 | A-41815-0531 |
| 09-48-5118 | A-41815-0532 |
| 09-48-5128 | A-41815-0533 |
| 09-48-5138 | A-41815-0534 |
| 09-48-5148 | A-41815-0535 |
| 09-48-5158 | A-41815-0536 |

| Material No | Engineer Number |
|-------------|-----------------|
| 09-48-1025 | A-41815-0537 |
| 09-48-1035 | A-41815-0538 |
| 09-48-1045 | A-41815-0539 |
| 09-48-1055 | A-41815-0540 |
| 09-48-1065 | A-41815-0541 |
| 09-48-1075 | A-41815-0542 |
| 09-48-1085 | A-41815-0543 |
| 09-48-1095 | A-41815-0544 |
| 09-48-1105 | A-41815-0545 |
| 09-48-1115 | A-41815-0546 |
| 09-48-1125 | A-41815-0547 |
| 09-48-1135 | A-41815-0548 |
| 09-48-1145 | A-41815-0549 |
| 09-48-1155 | A-41815-0550 |

| Material No | Engineer Number |
|-------------|-----------------|
| 41815-0551 | 41815-0551 |
| 41815-0552 | 41815-0552 |
| 41815-0553 | 41815-0553 |
| 41815-0554 | 41815-0554 |
| 41815-0555 | 41815-0555 |
| 41815-0556 | 41815-0556 |
| 41815-0557 | 41815-0557 |
| 41815-0558 | 41815-0558 |
| 41815-0559 | 41815-0559 |
| 41815-0560 | 41815-0560 |
| 41815-0561 | 41815-0561 |
| 41815-0562 | 41815-0562 |
| 41815-0563 | 41815-0563 |

| | | | | |
|---|-----------------------------|--|--|--------------------------------------|
| REV: AL6 | ECR/ECN INFORMATION: | | TITLE: KK 156 HOUSING ASSY PCB 41815 SERIES DWG | SHEET No. |
| | EC NO. | UCP2009-0167 | | - 9 - |
| | DATE: | 10/30/2008 | | |
| DOCUMENT NUMBER: SDA-41815 | | CREATED / REVISED BY: MKIPPER | CHECKED BY: JBELL | APPROVED BY: FSMITH |



KK 156 PCB ASSY 2-15 CKT

41815 SERIES

| | |
|--------------|-------------------|
| Assy. Proc: | BOTTOM ENTRY |
| Housing No: | 41815-N-DN |
| Options | WITHOUT RAMPS |
| Terminal No: | 6298-1-102 |
| Term Matl: | PHOS BRONZE |
| Plating: | 102 |
| Dim C: | 3.18 / .125 |
| Voids: | NONE |
| Hooks Cut: | NO |
| Packaging: | PK-41815-001 TRAY |

| | |
|--------------|-------------------|
| Assy. Proc: | BOTTOM ENTRY |
| Housing No: | 41815-N-DN |
| Options | WITHOUT RAMPS |
| Terminal No: | 6298-1-102 |
| Term Matl: | PHOS BRONZE |
| Plating: | 102 |
| Dim C: | 3.18 / .125 |
| Voids: | TERMINAL VOID 2 |
| Hooks Cut: | NO |
| Packaging: | PK-41815-001 TRAY |

| | |
|--------------|-------------------|
| Assy. Proc: | RIGHT ANGLE |
| Housing No: | 41815-N-A15-7 |
| Options | WITH RAMP |
| Terminal No: | 2144-BA-A1AA-102B |
| Term Matl: | PHOS BRONZE |
| Plating: | 102 TIN |
| Dim C: | (3.68) / .145 |
| Voids: | TERMINAL VOID 7 |
| Hooks Cut: | NO |
| Packaging: | PK-41815-001 TRAY |

| | |
|--------------|-------------------|
| Assy. Proc: | TOP ENTRY |
| Housing No: | 41815-N-DN |
| Options | WITHOUT RAMP |
| Terminal No: | 2144-BA-A1AA-102B |
| Term Matl: | PHOS BRONZE |
| Plating: | 102 TIN |
| Dim C: | (3.05)/.120 |
| Voids: | NONE |
| Hooks Cut: | YES |
| Packaging: | PK-41815-001 TRAY |

| Ckts | Material No | Engineer Number |
|------|-------------|-----------------|
| 2 | 41815-0564 | A-41815-0564 |
| 3 | 41815-0565 | A-41815-0565 |
| 4 | 41815-0566 | A-41815-0566 |
| 5 | 41815-0567 | A-41815-0567 |
| 6 | 41815-0568 | A-41815-0568 |
| 7 | 41815-0569 | A-41815-0569 |
| 8 | 41815-0570 | A-41815-0570 |
| 9 | 41815-0571 | A-41815-0571 |
| 10 | 41815-0572 | A-41815-0572 |
| 11 | 41815-0573 | A-41815-0573 |
| 12 | 41815-0574 | A-41815-0574 |
| 13 | 41815-0575 | A-41815-0575 |
| 14 | 41815-0576 | A-41815-0576 |
| 15 | 41815-0577 | A-41815-0577 |

| Material No | Engineer Number |
|-------------|-----------------|
| 41815-0579 | A-41815-0579 |
| 41815-0580 | A-41815-0580 |
| 41815-0581 | A-41815-0581 |
| 41815-0582 | A-41815-0582 |
| 41815-0583 | A-41815-0583 |
| 41815-0584 | A-41815-0584 |
| 41815-0585 | A-41815-0585 |
| 41815-0586 | A-41815-0586 |
| 41815-0587 | A-41815-0587 |
| 41815-0588 | A-41815-0588 |
| 41815-0589 | A-41815-0589 |
| 41815-0590 | A-41815-0590 |
| 41815-0591 | A-41815-0591 |

| Material No | Engineer Number |
|-------------|-----------------|
| 41815-0600 | A-41815-0600 |

| Material No | Engineer Number |
|-------------|-----------------|
| 41815-0601 | A-41815-0601 |
| 41815-0602 | A-41815-0602 |
| 41815-0605 | A-41815-0605 |

| | | | | |
|---|-----------------------------|--|--|---------------------------------------|
| REV: AL6 | ECR/ECN INFORMATION: | | TITLE: KK 156 HOUSING ASSY PCB 41815 SERIES DWG | SHEET No. - 10 - |
| | EC NO. | UCP2009-0167 | | |
| | DATE: | 10/30/2008 | | |
| DOCUMENT NUMBER: SDA-41815 | | CREATED / REVISED BY: MKIPPER | CHECKED BY: JBELL | APPROVED BY: FSMITH |

