

**PLEASE CHECK WWW.MOLEX.COM FOR LATEST PART INFORMATION**

**Part Number:** [0784990002](#)  
**Status:** **Active**  
**Description:** Camera Socket for Mobile Phone, Bottom Contact, 6.5x6.5 Camera Module, without Pick-and-Place Cap, Lead free

**Documents:**

[Drawing \(PDF\)](#) [RoHS Certificate of Compliance \(PDF\)](#)  
[Product Specification PS-78499-001 \(PDF\)](#)

**General**

Product Family	Other Sockets
Series	<a href="#">78499</a>
Comments	Without Cap
Component Type	Socket
Product Name	Camera Socket

**Physical**

Circuits (Loaded)	24
Circuits (maximum)	24
Color - Resin	Black
Durability (mating cycles max)	5
Entry Angle	Vertical (Top Entry)
Keying to Mating Part	Yes
Material - Metal	Copper Alloy
Material - Plating Mating	Gold
Material - Plating Termination	Gold
Material - Resin	High Temperature Thermoplastic
PCB Locator	No
PCB Retention	Yes
Packaging Type	Embossed Tape on Reel
Pitch - Mating Interface (in)	0.024 In
Pitch - Mating Interface (mm)	0.60 mm
Pitch - Term. Interface (in)	0.024 In
Pitch - Term. Interface (mm)	0.60 mm
Plating min: Mating (µin)	12
Plating min: Mating (µm)	0.3
Plating min: Termination (µin)	0.08
Plating min: Termination (µm)	0.020
Temperature Range - Operating	-55°C to +85°C
Termination Interface: Style	Surface Mount

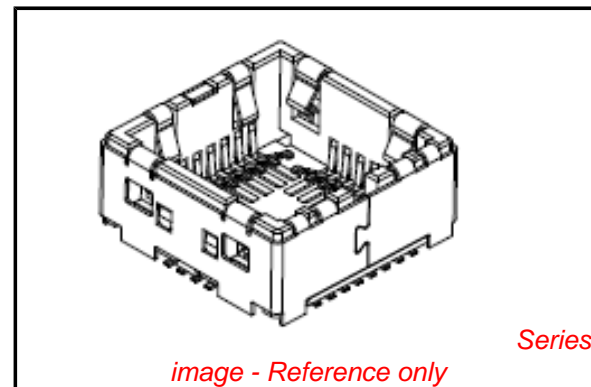
**Electrical**

Current - Maximum per Contact	0.5A
Voltage - Maximum	50V DC

**Material Info**

**Reference - Drawing Numbers**

Packaging Specification	PK-78499-001
Product Specification	PS-78499-001
Sales Drawing	SD-78499-001



**EU RoHS**

**ELV and RoHS  
Compliant**  
**REACH SVHC  
Contains SVHC: No**  
**Halogen-Free  
Status  
Not Reviewed**

**China RoHS**



**Need more information on product  
environmental compliance?**

Email [productcompliance@molex.com](mailto:productcompliance@molex.com)  
 For a multiple part number RoHS Certificate of Compliance, [click here](#)

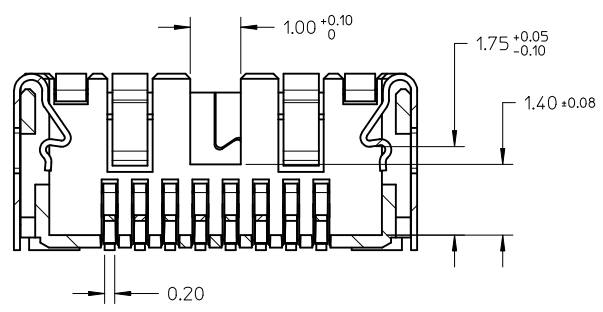
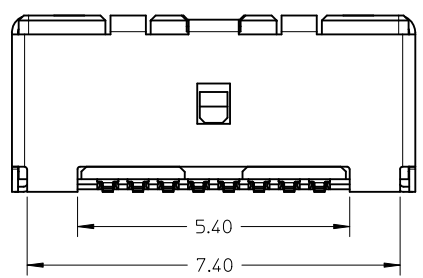
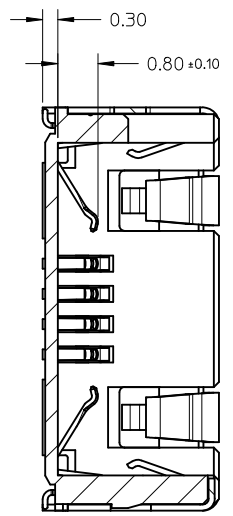
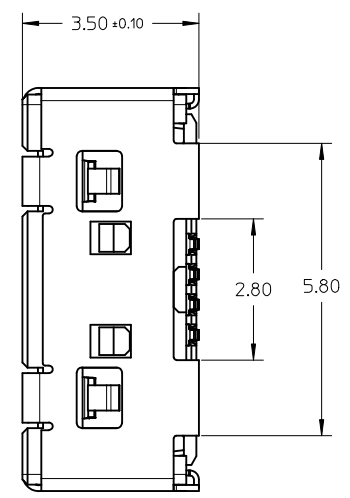
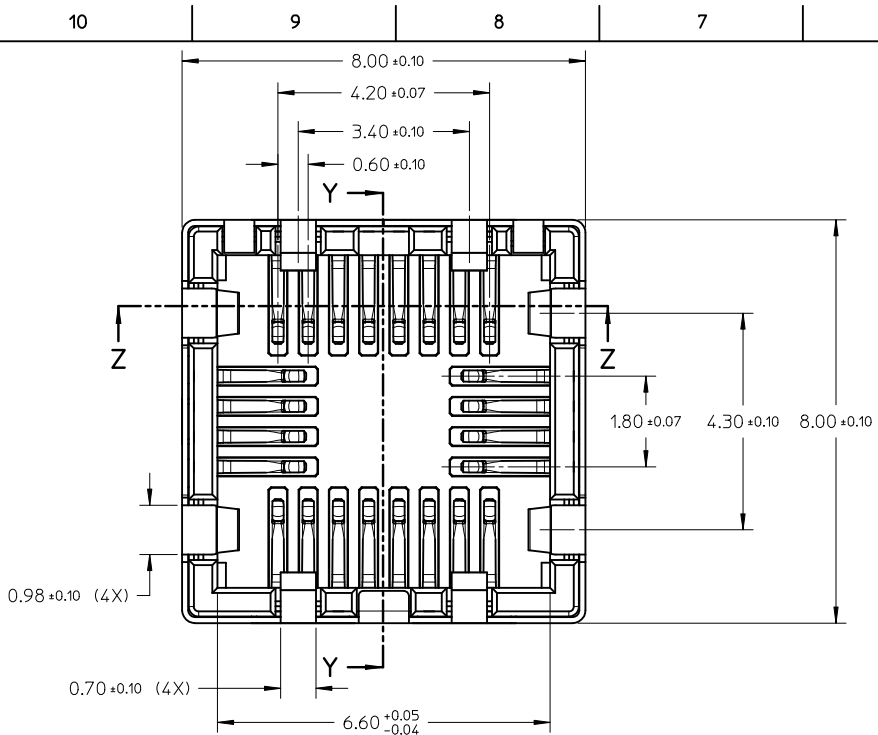
Please visit the [Contact Us](#) section for any non-product compliance questions.

**Search Parts in this Series**

[78499Series](#)

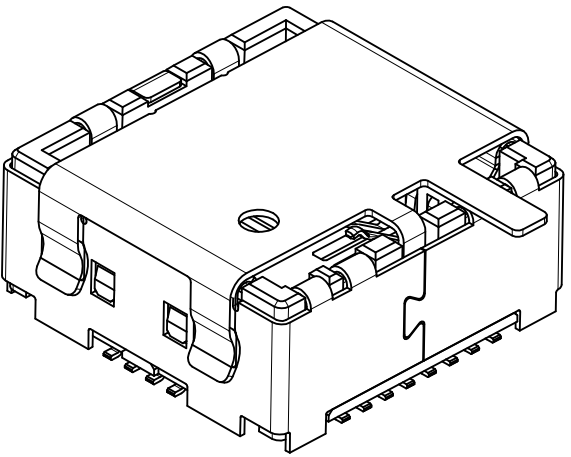
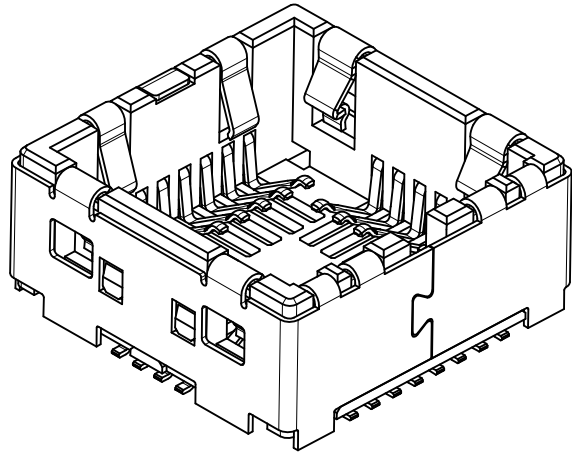
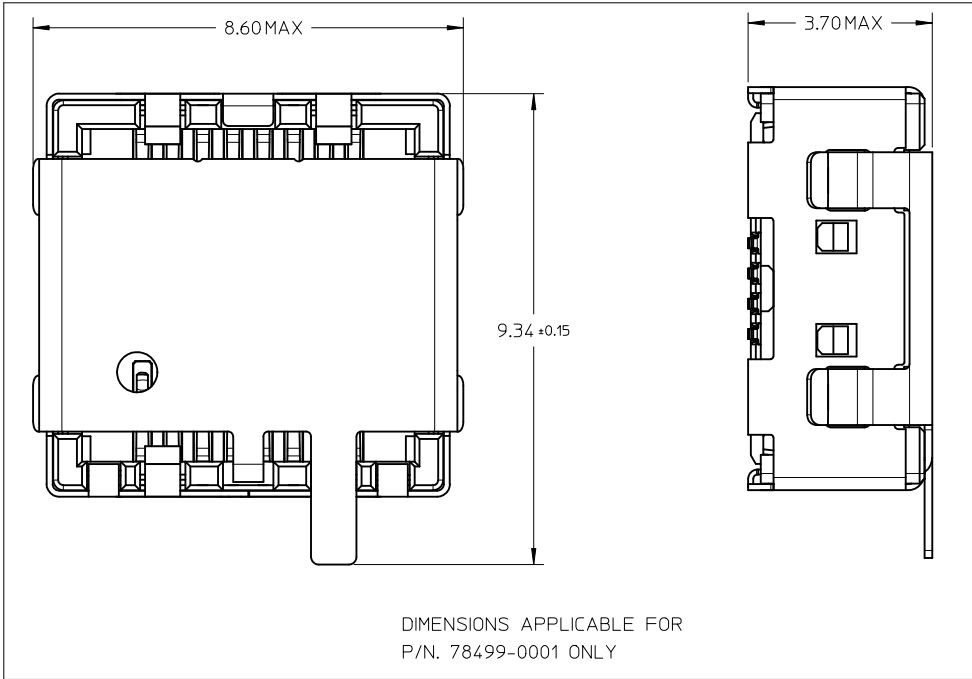
**Mates With**

Camera Module



- NOTES:
- MATERIALS  
HOUSING: HIGH TEMPERATURE PLASTIC, BLACK  
TERMINAL: COPPER ALLOY.  
SHIELD : COPPER ALLOY.
  - FINISHES  
SHIELD : SOLDERABLE NICKEL PLATING OVERALL  
TERMINAL: NICKEL UNDERPLATING 1.0 MICROMETER MIN OVERALL  
GOLD PLATING 0.3 MICROMETER MIN ON CONTACT AREA  
GOLD PLATING 0.02 MICROMETER MIN ON SOLDERTAIL
  - PRODUCT SPECIFICATION : PS-78499-001
  - PACKAGING : TAPE AND REEL. REFER TO PK-78499-001
  - OVERALL COPLANARITY TO BE 0.10 MM MAX

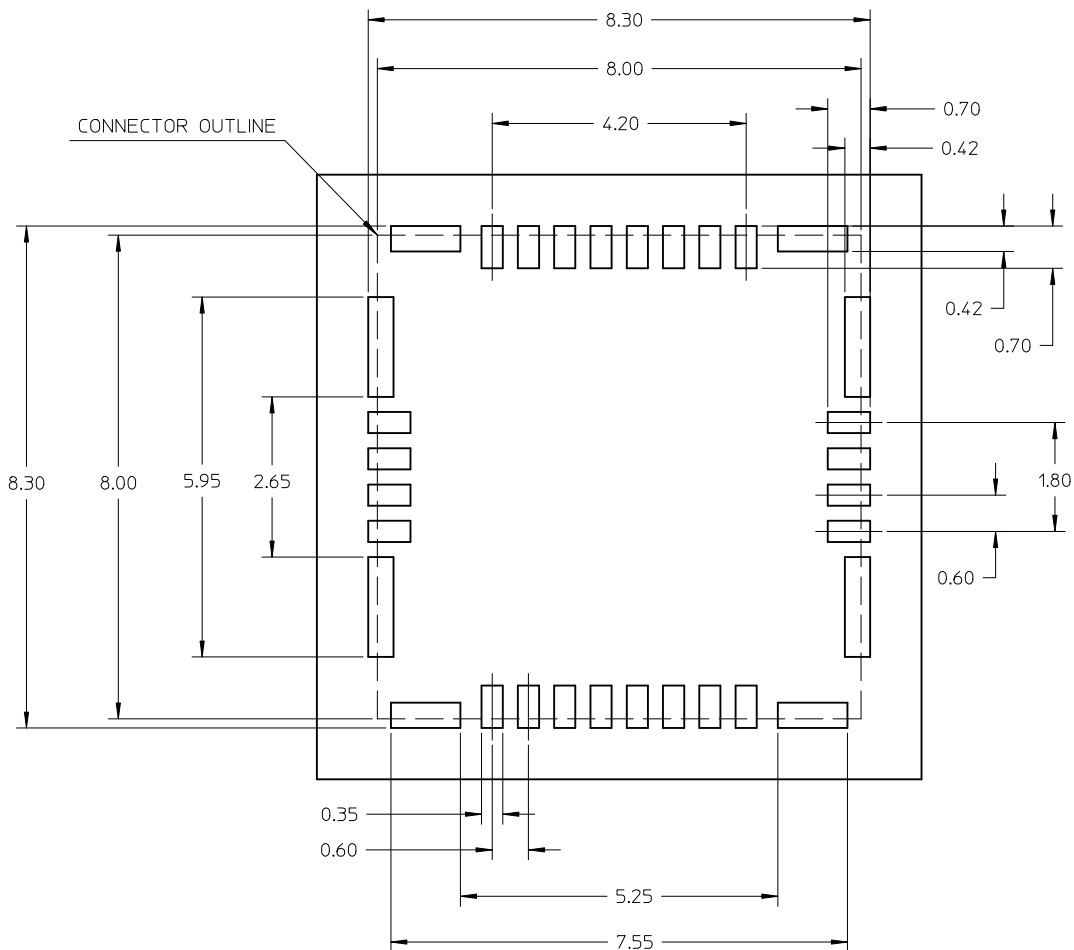
CORRECT GEN TOL EC NO: S2010-0926 DRW:DWLEED1 2010/04/23 CHKD:CGTAN 2009/06/30 APPR:SHLENI 2010/05/21	QUALITY SYMBOLS ▽ <sub>A</sub> =0 ▽ <sub>B</sub> =0 ▽ <sub>C</sub> =0	GENERAL TOLERANCES (UNLESS SPECIFIED)		DIMENSION STYLE	SCALE	DESIGN UNITS	THIRD ANGLE PROJECTION	
		mm	INCH	MM ONLY	NTS	METRIC		
		4 PLACES	± ---	± ---	DRAWN BY	DATE	TITLE	
		3 PLACES	± ---	± ---	CMTEO	2009/03/31	6.5*6.5 CAMERA SOCKET SMT BOTTOM CONTACT TYPE	
			2 PLACES	± 0.15	± ---	CHECKED BY	DATE	
			1 PLACE	± ---	± ---	CGTAN	2009/06/30	
			ANGULAR ± 1 °		APPROVED BY	DATE		
			DRAFT WHERE APPLICABLE MUST REMAIN WITHIN DIMENSIONS		SHLENI	2010/05/21		
A2	REV			SEE TABLE	MATERIAL NO.	DOCUMENT NO.	SHEET NO.	
				SIZE A3	THIS DRAWING CONTAINS INFORMATION THAT IS PROPRIETARY TO MOLEX INCORPORATED AND SHOULD NOT BE USED WITHOUT WRITTEN PERMISSION		1 OF 4	



PART NO.	CAP CONFIGURATION	PACKAGING
78499-0001	WITH PICK AND PLACE CAP	TAPE AND REEL
78499-0002	WITHOUT PICK AND PLACE CAP	

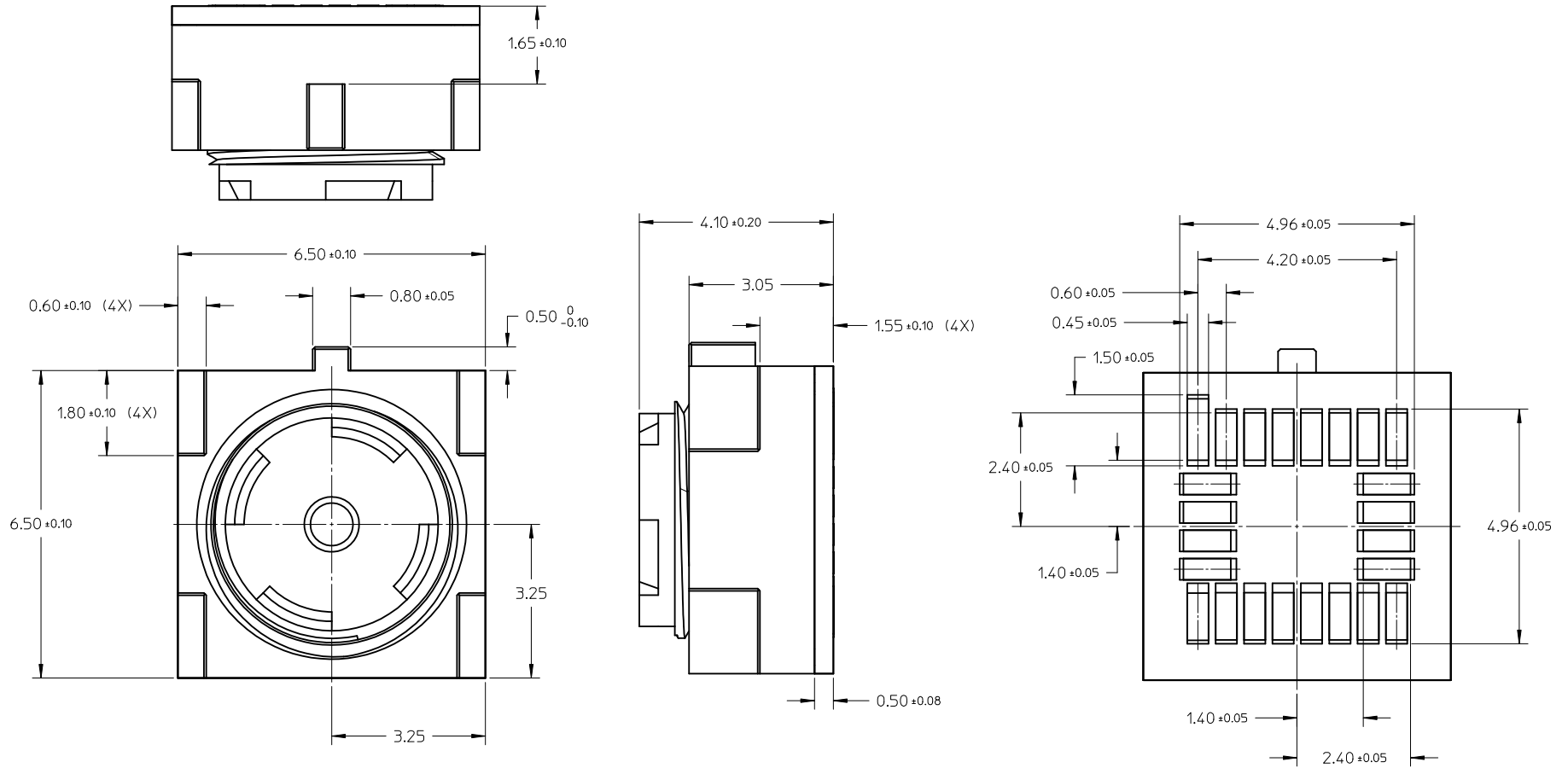
<b>CORRECT GEN TOL</b> EC NO: S2010-0926 DRW:DWLEED1 2010/04/23 CHKD:CGTAN 2009/06/30 APPR:SHLENI 2010/05/21	QUALITY SYMBOLS $\nabla_A = 0$ $\nabla_C = 0$ $\nabla_B = 0$	GENERAL TOLERANCES (UNLESS SPECIFIED) <table border="1"> <thead> <tr> <th></th> <th>mm</th> <th>INCH</th> </tr> </thead> <tbody> <tr> <td>4 PLACES</td> <td>± ---</td> <td>± ---</td> </tr> <tr> <td>3 PLACES</td> <td>± ---</td> <td>± ---</td> </tr> <tr> <td>2 PLACES</td> <td>± 0.15</td> <td>± ---</td> </tr> <tr> <td>1 PLACE</td> <td>± ---</td> <td>± ---</td> </tr> </tbody> </table> ANGULAR ± 1 °		mm	INCH	4 PLACES	± ---	± ---	3 PLACES	± ---	± ---	2 PLACES	± 0.15	± ---	1 PLACE	± ---	± ---	DIMENSION STYLE <b>MM ONLY</b> DRAWN BY: CMTEO DATE: 2009/03/31 CHECKED BY: CGTAN DATE: 2009/06/30 APPROVED BY: SHLENI DATE: 2010/05/21	SCALE NTS DESIGN UNITS METRIC THIRD ANGLE PROJECTION	TITLE <b>6.5*6.5 CAMERA SOCKET SMT BOTTOM CONTACT TYPE</b>
		mm	INCH																	
	4 PLACES	± ---	± ---																	
	3 PLACES	± ---	± ---																	
2 PLACES	± 0.15	± ---																		
1 PLACE	± ---	± ---																		
DRAFT WHERE APPLICABLE MUST REMAIN WITHIN DIMENSIONS	MATERIAL NO. <b>SEE TABLE</b>	DOCUMENT NO. <b>SD-78499-001</b>	SHEET NO. 2 OF 4																	
SIZE <b>A3</b>	THIS DRAWING CONTAINS INFORMATION THAT IS PROPRIETARY TO MOLEX INCORPORATED AND SHOULD NOT BE USED WITHOUT WRITTEN PERMISSION																			

# RECOMMENDED PCB LAYOUT



CORRECT GEN TOL EC NO: S2010-0926 DRW: DMLEED1 CHKD: CGTAN APPR: SHLENI	2010/04/23 2009/06/30 2010/05/21	DESCRIPTION REV	QUALITY SYMBOLS $F_A=0$ $F_G=0$ $F_P=0$	GENERAL TOLERANCES (UNLESS SPECIFIED) mm    INCH 4 PLACES ± --- ± --- 3 PLACES ± --- ± --- 2 PLACES ± 0.15 ± --- 1 PLACE ± --- ± --- ANGULAR ± 1°	DIMENSION STYLE MM ONLY DRAWN BY: CMTEO    DATE: 2009/03/31 CHECKED BY: CGTAN    DATE: 2009/06/30 APPROVED BY: SHLENI    DATE: 2010/05/21	SCALE: NTS DESIGN UNITS: METRIC THIRD ANGLE PROJECTION	TITLE: 6.5*6.5 CAMERA SOCKET SMT BOTTOM CONTACT TYPE MOLEX INCORPORATED DOCUMENT NO. SD-78499-001 SHEET NO. 3 OF 4
	DRAFT WHERE APPLICABLE MUST REMAIN WITHIN DIMENSIONS				SEE TABLE	THIS DRAWING CONTAINS INFORMATION THAT IS PROPRIETARY TO MOLEX INCORPORATED AND SHOULD NOT BE USED WITHOUT WRITTEN PERMISSION	
	A2				SIZE: A3	INCORPORATED AND SHOULD NOT BE USED WITHOUT WRITTEN PERMISSION	
	CORRECT GEN TOL				SEE TABLE	INCORPORATED AND SHOULD NOT BE USED WITHOUT WRITTEN PERMISSION	

# APPLICABLE CAMERA MODULE



CORRECT GEN TOL EC NO: S2010-0926 DRW: DMLEE01 CHKD: CGTAN APPR: SHLENI	2010/04/23 2009/06/30 2010/05/21	DESCRIPTION REV	QUALITY SYMBOLS	GENERAL TOLERANCES (UNLESS SPECIFIED)	DIMENSION STYLE	SCALE	DESIGN UNITS	THIRD ANGLE PROJECTION
	$\nabla_A = 0$ $\nabla_C = 0$ $\nabla_P = 0$		mm    INCH 4 PLACES ± --- ± --- 3 PLACES ± --- ± --- 2 PLACES ± 0.15 ± --- 1 PLACE ± --- ± --- ANGULAR ± 1°	MM ONLY	NTS	METRIC		
			DRAWN BY: CMTEO    DATE: 2009/03/31 CHECKED BY: CGTAN    DATE: 2009/06/30 APPROVED BY: SHLENI    DATE: 2010/05/21	TITLE		6.5*6.5 CAMERA SOCKET SMT BOTTOM CONTACT TYPE		
			MATERIAL NO.    DOCUMENT NO.    SHEET NO. SEE TABLE    SD-78499-001    4 OF 4	MOLEX INCORPORATED				