

**PLEASE CHECK WWW.MOLEX.COM FOR LATEST PART INFORMATION**

**Part Number:** [0781725006](#)  
**Status:** **Active**  
**Overview:** [picoezmate](#)  
**Description:** 1.20mm (.047") Pico-EZmate™ Wire-to-Board Housing, 6 Circuits, Lead free

**Documents:**

[3D Model](#) [Product Specification PS-78172-001 \(PDF\)](#)  
[Drawing \(PDF\)](#) [RoHS Certificate of Compliance \(PDF\)](#)

**Agency Certification**

CSA LR19980  
 UL E29179

**General**

Product Family Crimp Housings  
 Series [78172](#)  
 Overview [picoezmate](#)  
 Product Name Pico-EZmate™

**Physical**

Circuits (maximum) 6  
 Color - Resin Black  
 Flammability 94V-0  
 Gender Receptacle  
 Glow-Wire Compliant No  
 Keying to Mating Part Yes  
 Lock to Mating Part Yes  
 Number of Rows 1  
 Packaging Type Bag  
 Panel Mount No  
 Pitch - Mating Interface (in) 0.047 In  
 Pitch - Mating Interface (mm) 1.20 mm  
 Polarized to Mating Part Yes  
 Ports 1  
 Stackable No  
 Temperature Range - Operating -25°C to +85°C

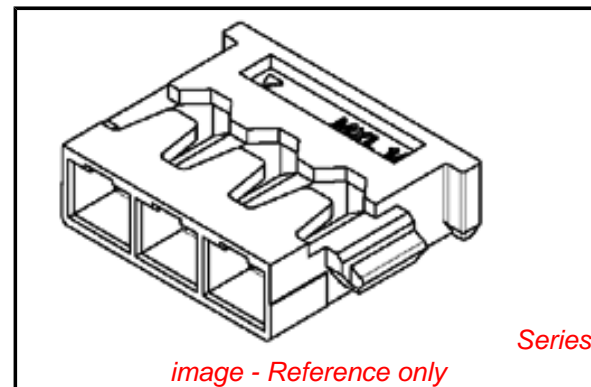
**Electrical**

Current - Maximum per Contact 1.5A

**Material Info**

**Reference - Drawing Numbers**

Application Specification AS-78172-001  
 Product Specification PS-78172-001  
 Sales Drawing SD-78172-001



**EU RoHS**

**ELV and RoHS  
 Compliant**  
**REACH SVHC  
 Contains SVHC: No**  
**Halogen-Free  
 Status  
 Not Reviewed**

**China RoHS**



**Need more information on product  
 environmental compliance?**

Email [productcompliance@molex.com](mailto:productcompliance@molex.com)  
 For a multiple part number RoHS Certificate of  
 Compliance, [click here](#)

Please visit the [Contact Us](#) section for any  
 non-product compliance questions.

**Search Parts in this Series**

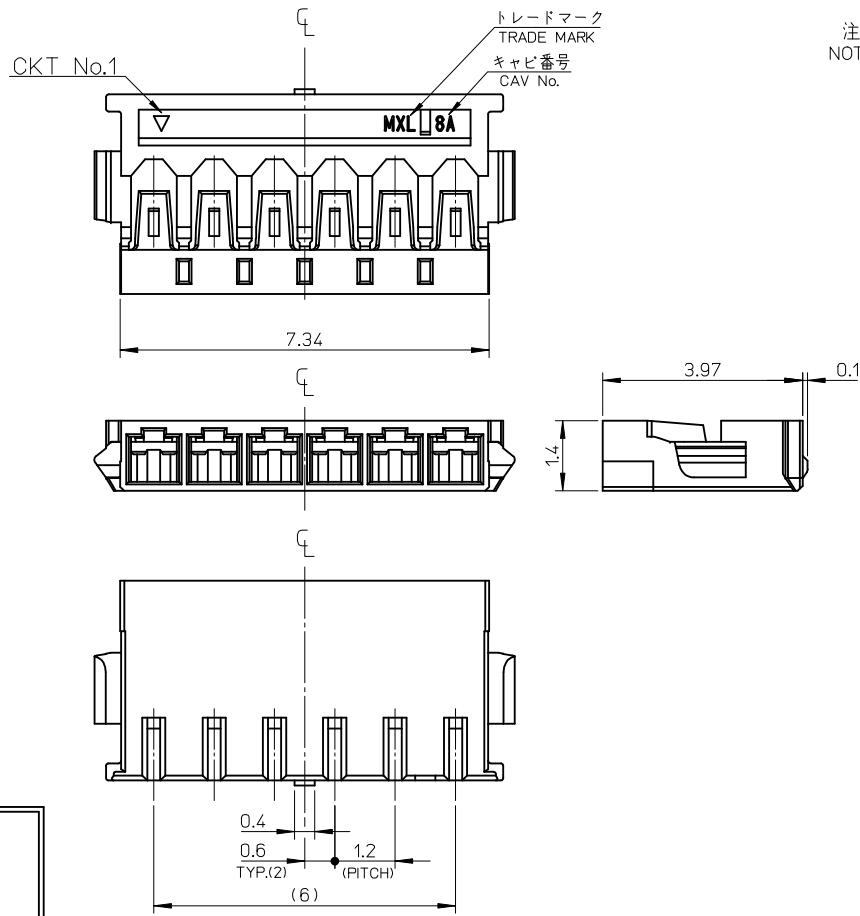
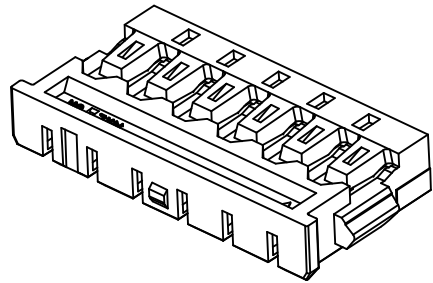
[78172Series](#)

**Mates With**

[78171 Header](#)

**Use With**

[78172-0410 Crimp Terminals](#)

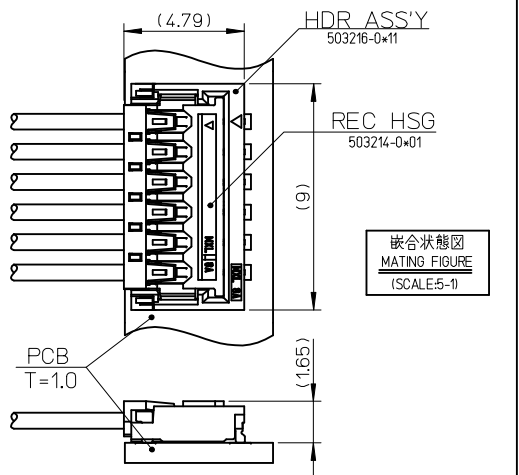


- 注記 NOTES.
- 材質 ハウジング: PA46, UL94V-2, 色: 黒  
MATERIALS HOUSING: PA46, UL94V-2, COLOUR: BLACK
  - 適合ターミナル: 78172-041\*  
APPLICABLE TERMINAL: 78172-041\*
  - 嵌合相手: 78171-5006  
MATES WITH  
極数 No. / CIRCUIT No.
  - 梱包形態: 袋詰め梱包  
PACKAGING SPECIFICATION: PLASTIC BAG PACKAGING
- 製品番号は右記の内容を示す: 78172-5006  
PRODUCT NUMBER INDICATES FOLLOWING  
極数 No. / CIRCUIT No.
- ELV 及び RoHS 適合品  
ELV AND RoHS COMPLIANT
  - 参考として本製品評価時に使用の電線仕様を以下に示します。  
THE ELECTRIC WIRE SPECIFICATION USED AS REFERENCE AT THE TIME OF THIS PRODUCT EVALUATION IS SHOWN BELOW.  
※製品評価時使用電線  
UL 3302電線  
UL STYLE 3302

電線サイズ WIRE SIZE	導体仕様 CONDUCTOR SPEC.	導体構成 STRANDING, (No./mm)	導体外径 CONDUCTOR DIA. (mm)	絶縁体外径 INSULATION DIA. (mm)
AWG# 30	錫メッキ軟銅線 TINNED ANNEALED COPPER	7/0.10	0.30	0.70

電線サイズ WIRE SIZE	導体仕様 CONDUCTOR SPEC.	導体構成 STRANDING, (No./mm)	導体外径 CONDUCTOR DIA. (mm)	絶縁体外径 INSULATION DIA. (mm)
AWG# 28	錫メッキ軟銅線 TINNED ANNEALED COPPER	7/0.127	0.38	0.6

8. 製品の取扱いについては取扱説明書“AS-78172-001”を参照願います。  
REFER TO INSTRUCTION MANUAL “AS-78172-001”



RELEASED EC NO: J2009-1273 DRWN: TODA 2008/11/17 CHKD: SA.SATO 2008/11/18 APPR: S.TSUKAWA KAWA 08/11/18 REV: A	GENERAL TOLERANCES (UNLESS SPECIFIED)		DIMENSION STYLE	SCALE	78172-5006	78172-500*
			MM ONLY	10:1	MATERIAL NO.	MODEL NO.
	10 UNDER	±0.2	DRAWN BY	DATE	DESIGN UNITS	THIRD ANGLE PROJECTION
	10 OVER 30 UNDER	±0.25	T. ODA	08/06/16	METRIC	
30 OVER	±0.3	CHECKED BY	DATE	12W/B CONN REC CRIMP HSG 6CKT		
ANGULAR	±1 °	SA. SATO	08/06/16			
DRAFT WHERE APPLICABLE MUST REMAIN WITHIN DIMENSIONS		APPROVED BY	DATE	MOLEX INCORPORATED		
		S. ICHIKAWA	08/06/16			
		MATERIAL NO.	DOCUMENT NO.	SD-78172-001		
		SEE CHART				
		SIZE	THIS DRAWING CONTAINS INFORMATION THAT IS PROPRIETARY TO MOLEX INCORPORATED AND SHOULD NOT BE USED WITHOUT WRITTEN PERMISSION			
		A3	SHEET NO. 1 OF 1			