

PLEASE CHECK WWW.MOLEX.COM FOR LATEST PART INFORMATION

Part Number: [0503948051](#)
Status: **Active**
Overview: [milligrd](#)
Description: Milli-Grid™ Crimp Terminal, Reel, 0.38µm (15µ") Select Gold, Lead free

Documents:

[Drawing \(PDF\)](#) [RoHS Certificate of Compliance \(PDF\)](#)
[Product Specification PS-51110-001 \(PDF\)](#)

General

Product Family	Crimp Terminals
Series	50394
Crimp Quality Equipment	Yes
Overview	milligrd
Product Literature Order No	987650-1991
Product Name	Milli-Grid™

Physical

Gender	Female
Material - Metal	Phosphor Bronze
Material - Plating Mating	Gold
Material - Plating Termination	Nickel
Packaging Type	Reel
Plating min: Mating (µin)	15.2
Plating min: Mating (µm)	0.38
Plating min: Termination (µin)	80
Plating min: Termination (µm)	2
Termination Interface: Style	Crimp or Compression
Wire Insulation Diameter	1.40mm (.055") max.
Wire Size AWG	24, 26, 28, 30
Wire Size mm²	N/A

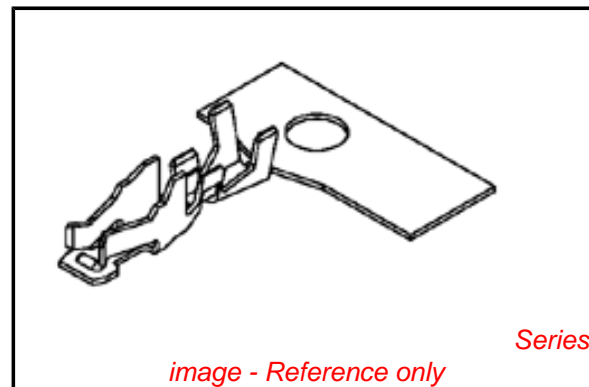
Electrical

Current - Maximum per Contact	0.5A, 1.5A, 1A, 2A
Voltage - Maximum	125V

Material Info

Reference - Drawing Numbers

Product Specification	PS-51110-001
Sales Drawing	SD-50394-8***, SD-50394-8051



EU RoHS

**ELV and RoHS
Compliant**
**REACH SVHC
Contains SVHC: No**
**Halogen-Free
Status**

China RoHS



**Need more information on product
environmental compliance?**

Email productcompliance@molex.com
 For a multiple part number RoHS Certificate of Compliance, [click here](#)

Please visit the [Contact Us](#) section for any non-product compliance questions.

Search Parts in this Series

[50394Series](#)

Use With

[51110 Crimp Housing](#)

Application Tooling | FAQ

Tooling specifications and manuals are found by selecting the products below. Crimp Height Specifications are then contained in the Application Tooling Specification document.

Global

Description	Product #
Hand Crimp Tool for Milli-Grid™ and MicroBlade Crimp Terminals	0638190100
FineAdjust™ Applicator for 2.00mm (.079") Pitch Wire-to-Board Crimp Terminals 24-30 AWG	0639005200

T2 Terminator Die 0639105200

Japan

Description **Product #**

Hand Extraction Tool 0011267074

Applicator for M211A 0573153000

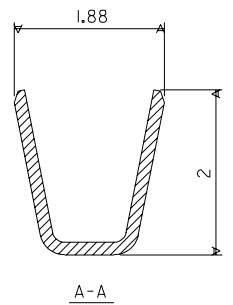
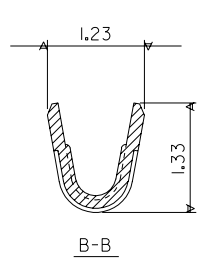
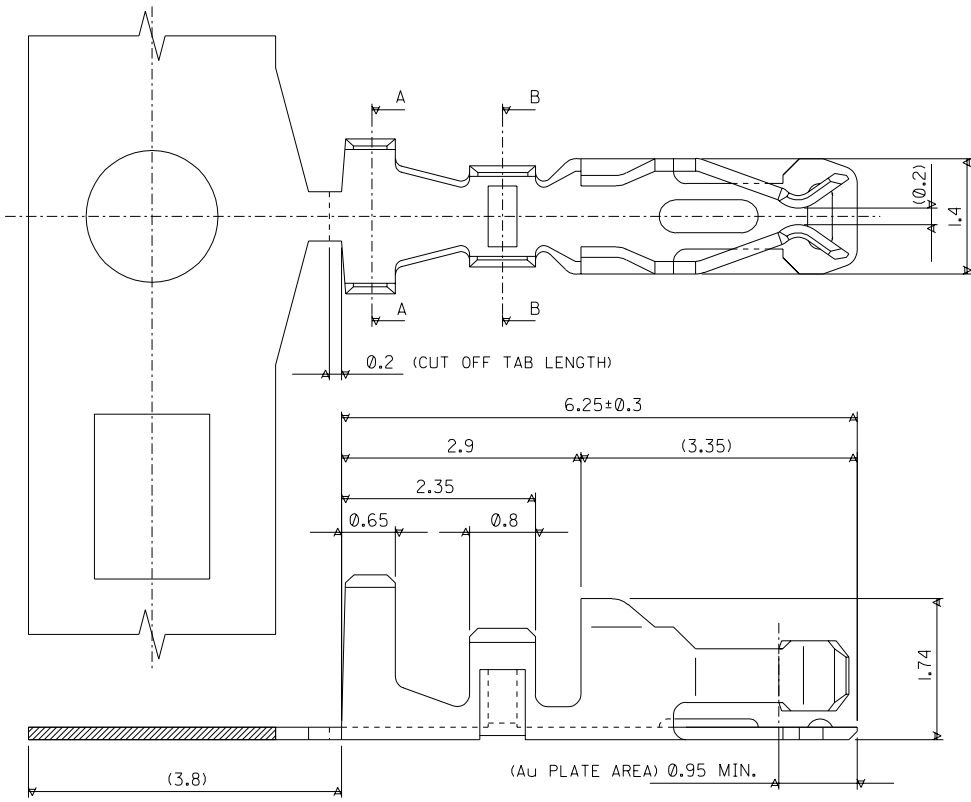
Bench Press, 24-30

AWG, for 50394

Crimp Terminal

This document was generated on 05/19/2010

PLEASE CHECK WWW.MOLEX.COM FOR LATEST PART INFORMATION



NOTES.
 1. APPLICABLE HOUSING : 51110-***1
 : 51110-***5

GOLD FLASH 0.05-0.125 μ M	50394-8400	50394-8054
0.38 Pd/Ni w/ GOLD FLASH	50394-8300	50394-8053
0.76	50394-8200	50394-8052
0.38	50394-8100	50394-8051
Au. PLATE THICK. (μ m MIN.)	FORM: LOOSE	FORM: CHAIN
ENG.No.		

B	VOID PART NO. PER ECN S2004-0719	---	ANG LING	040223	MATERIAL : PHOSPHOR BRONZE (THK=0.152)	MOLEX SINGAPORE PTE LTD SHEET 1 OF 1	
A2	ADD GOLD FLASH AS PER ECN*S2003-0030	---	NASH LING	02/07/12			
A1	ADD 0.38 Pd/Ni WITH GOLD FLASH AS PER PDR*98-01- 0267 (ECN*S1998-0364)	---	SEE LING	980312	FINISH :	GENERAL TOLERANCES \pm 0.20/.008	
A	REL AS PER ECN*	S40519	SO EDP	940420	SEE NOTES	DWG. NO.: SD150394-8***	
LTR	REVISION RECORD	ECN	DR CHK	DATE	DRAWN BY S.O. 940420	CHK'D BY EDPOH 940427	
REVISE ONLY ON CAD SYSTEM					APPR'D BY ROY 940428	SCALE 15:1	TITLE : 2.0mm GRID W TO B CONN. CRIMP TERMINAL

DWG. NO. SD-50394-8051

E

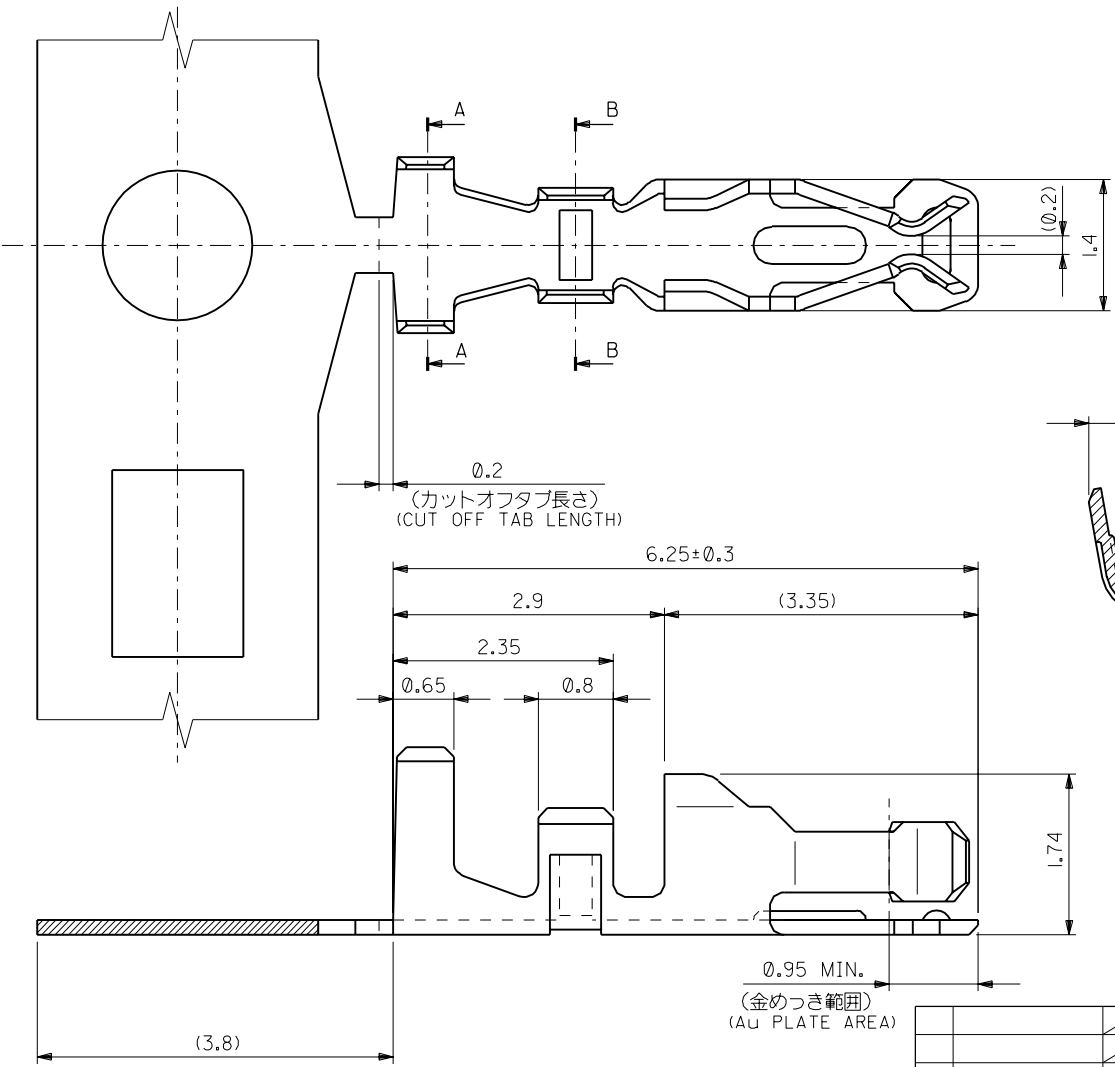
D

C

B

A

MM DIMENSIONS IN METRIC DO NOT SCALE DRAWING



- 注) NOTES.
1. 適合ハウジング: 51110-***1
APPLICABLE HOUSING : 51110-***1
 2. めっき仕様
PLATING SPEC
ニッケル下地金のつき (0.38 μm MIN.) 仕上げ
Au (0.38 μm MIN.) OVER NI PLATE

連鎖状 CHAIN	50394-8051
端子形状 TERM. FORM	製品番号 ENG.NO.

角度 ANGLE	±3°						材料 MATERIAL 燐青銅 (板厚: 0.152) PHOS.-BRON. (t=0.152)
30以上 OVER	+0.3						仕上げ FINISH 注)参照 SEE NOTES
10以上 30未満 OVER UNDER	+0.25						適用電線範囲 WIRE RANGE #24 ~ #30
10未満 UNDER	+0.2						被覆外径 INS. RANGE φ1.4 MAX.
一般公差 GENERAL TOLERANCES		記号 LTR	変更内容 REVISION RECORD	DR.	日付 DATE	APP'D BY DATE	尺度 SCALE 20-1
		0	新規作成 (T30209)	M.Y.	Y.J.	93/05/08	DRAWN BY CHK'D BY

molex MOLEX-JAPAN CO.,LTD. 日本モレックス株式会社	
REVISE ONLY ON CAD SYSTEM	
TITLE 名称 2.0mm GRID W TO B CONN. CRIMP TERMINAL	
DWG. NO. SD-50394-8051	REV 0