

**PLEASE CHECK WWW.MOLEX.COM FOR LATEST PART INFORMATION**

**Part Number:** [0430450401](#)  
**Status:** **Active**  
**Overview:** [microfit\\_30](#)  
**Description:** 3.00mm (.118") Pitch Micro-Fit 3.0™ Header, Surface Mount Compatible, Dual Row, Right Angle, with Snap-in Plastic Peg PCB Lock, 4 Circuits, 0.38µm (15µ") Gold (Au) Selective Plating, Glow Wire Compatible

**Documents:**

[3D Model](#) [Product Specification PS-43045 \(PDF\)](#)  
[Drawing \(PDF\)](#) [RoHS Certificate of Compliance \(PDF\)](#)

**Agency Certification**

|     |           |
|-----|-----------|
| CSA | LR19980   |
| TUV | R72081037 |
| UL  | E29179    |

**General**

|                             |  |
|-----------------------------|--|
| Product Family              | PCB Headers  |
| Series                      | <a href="#">43045</a>  |
| Application                 | Wire-to-Board  |
| Comments                    | Glow Wire Equivalent Part Number <a href="#">430450401</a> . High Temperature, Square Pin, Solder Type |
| Overview                    | <a href="#">microfit_30</a>  |
| Product Literature Order No | USA-106  |
| Product Name                | Micro-Fit 3.0™   |

**Physical**

|                                |                                |
|--------------------------------|--------------------------------|
| Breakaway                      | No                             |
| Circuits (Loaded)              | 4                              |
| Circuits (maximum)             | 4                              |
| Color - Resin                  | Black                          |
| Durability (mating cycles max) | 30                             |
| Flammability                   | 94V-0                          |
| Glow-Wire Compliant            | Yes                            |
| Mated Height (in)              | 0.405 In                       |
| Mated Height (mm)              | 10.29 mm                       |
| Material - Metal               | Brass                          |
| Material - Plating Mating      | Gold                           |
| Material - Plating Termination | Tin                            |
| Material - Resin               | High Temperature Thermoplastic |
| Number of Rows                 | 2                              |
| Orientation                    | Right Angle                    |
| PCB Locator                    | Yes                            |
| PCB Retention                  | Yes                            |
| PCB Thickness Recommended (in) | 0.062 In                       |
| PCB Thickness Recommended (mm) | 1.60 mm                        |
| Packaging Type                 | Tray                           |
| Pitch - Mating Interface (in)  | 0.118 In                       |
| Pitch - Mating Interface (mm)  | 3.00 mm                        |
| Plating min: Mating (µin)      | 15                             |
| Plating min: Mating (µm)       | 0.375                          |
| Plating min: Termination (µin) | 100                            |
| Plating min: Termination (µm)  | 2.5                            |
| Polarized to PCB               | Yes                            |
| Shrouded                       | Fully                          |
| Stackable                      | No                             |

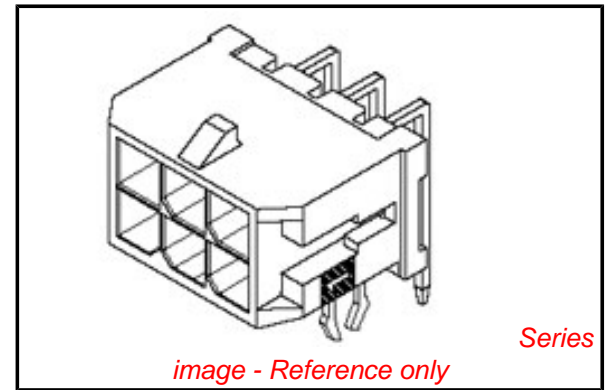


image - Reference only

**EU RoHS**

**ELV and RoHS Compliant**  
**REACH SVHC Contains SVHC: No**  
**Halogen-Free Status**

**China RoHS**



**Need more information on product environmental compliance?**

Email [productcompliance@molex.com](mailto:productcompliance@molex.com)  
 For a multiple part number RoHS Certificate of Compliance, [click here](#)

Please visit the [Contact Us](#) section for any non-product compliance questions.

**Search Parts in this Series**

[43045Series](#)

**Mates With**

[43025](#)

|                                |                 |
|--------------------------------|-----------------|
| Surface Mount Compatible (SMC) | Yes             |
| Temperature Range - Operating  | -40°C to +105°C |
| Termination Interface: Style   | Through Hole    |

### **Electrical**

|                               |      |
|-------------------------------|------|
| Current - Maximum per Contact | 5A   |
| Voltage - Maximum             | 250V |

### **Solder Process Data**

|  |                              |
|--|------------------------------|
| Duration at Max. Process Temperature (seconds) | 30                           |
| Lead-free Process Capability                   | SMC & Wave Capable (TH only) |
| Max. Cycles at Max. Process Temperature        | 3                            |
| Process Temperature max. C                     | 260                          |

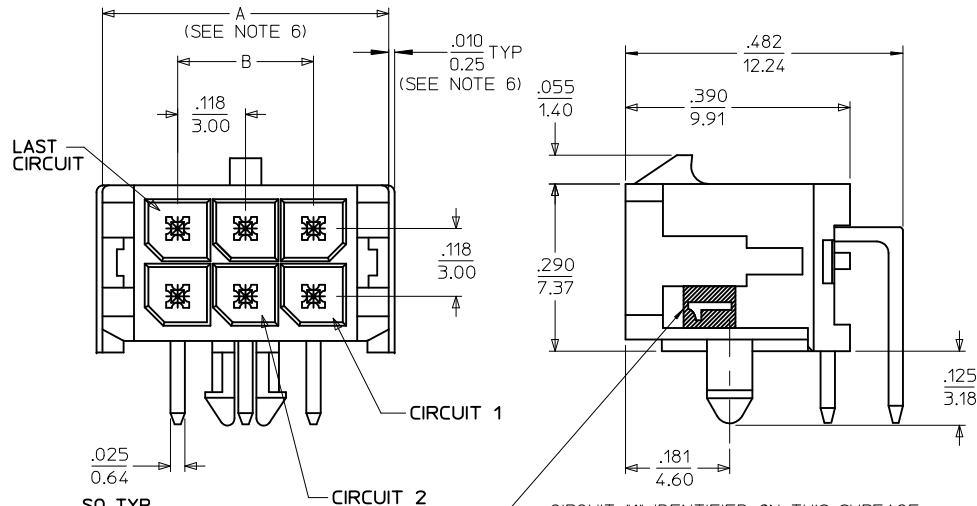
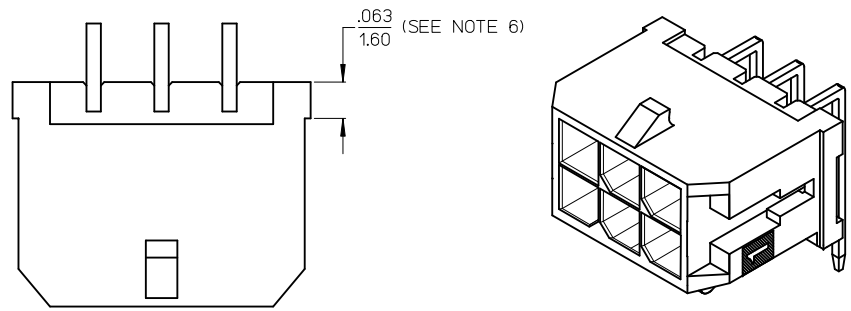
### **Material Info**

#### **Reference - Drawing Numbers**

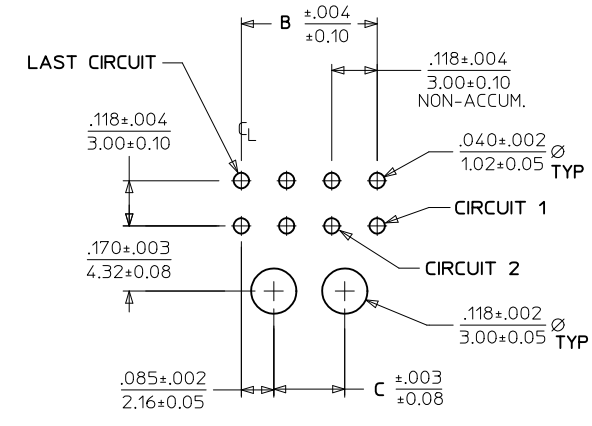
|                         |  |
|-------------------------|--|
| Packaging Specification | PK-70873-0313                          |
| Product Specification   | PS-43045, RPS-43045-003, RPS-43045-004 |
| Sales Drawing           | SD-43045-001                           |
| Test Summary            | TS-43045-001, TS-43045-002             |

This document was generated on 05/24/2010

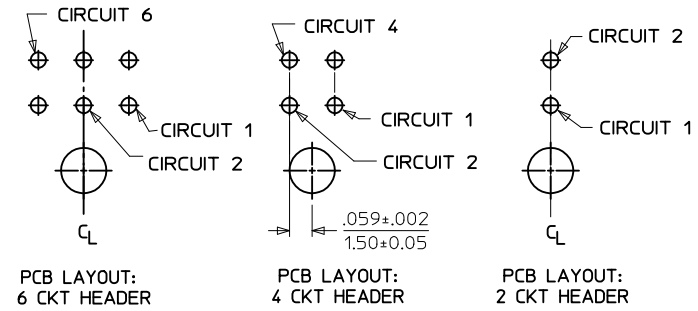
**PLEASE CHECK [WWW.MOLEX.COM](http://WWW.MOLEX.COM) FOR LATEST PART INFORMATION**



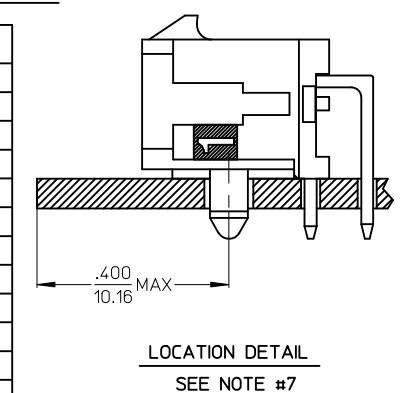
- NOTES:**
- HOUSING MATERIAL: GLASS FILLED LIQUID CRYSTAL POLYMER, UL94V-0, COLOR: BLACK  
TERMINAL MATERIAL: BRASS ALLOY
  - FINISH: A = .000100/(0.00254) MIN. TIN OVER  
.000050/(0.00127) MIN. NICKEL PLATE.  
B = .000015/(0.00038) MIN. SELECT GOLD IN CONTACT AREA,  
.000100/(0.00254) MIN. SELECT MATTE TIN ON SOLDER TAILS,  
BOTH OVER .000050/(0.00127) MIN. NICKEL PLATE.  
C = .000030/(0.00076) MIN. SELECT GOLD IN CONTACT AREA,  
.000100/(0.00254) MIN. SELECT MATTE TIN ON SOLDER TAILS,  
BOTH OVER .000050/(0.00127) MIN. NICKEL PLATE.  
\* THE PRIMARY SHIPPING CARTON WILL BE LABELED "COMPLIANT TO RoHS DIRECTIVE  
2002/95/EC AND ELV ANNEX II OF DIRECTIVE 2000/53/EC." CARTONS WITHOUT  
THIS LABEL MAY CONTAIN PRODUCT WITH TIN/LEAD IN THE PC TAIL AREA.
  - PRODUCT SPECIFICATION: PS-43045
  - TRAY PACKAGED : SEE MOLEX DRAWING PK-70873-0313
  - MATES WITH MICRO FIT (3.0) RECEPTACLE SERIES 43025
  - .010/0.25 OFFSETS ARE PRESENT ON ALL PARTS MANUFACTURED AFTER 11/1/2007,  
AND ON PARTS PRIOR TO 11/1/2007 THAT CONTAIN A GREEN DOT ON THE PRIMARY  
SHIPPING CARTON LABEL.
  - TO AVOID INTERFERENCE BETWEEN RECEPTACLE AND PCB, HEADER MUST BE PLACED  
WITHIN .400/(10.16) MAX. FROM EDGE OF PCB, AS SHOWN IN LOCATION DETAIL.
  - THIS PART CONFORMS TO CLASS B REQUIREMENTS OF PRODUCT SPECIFICATION  
PS-45499-002.



PCB LAYOUT: COMPONENT SIDE  
RECOMMEND PCB THICKNESS: .062/1.57



| CKTS | FINISH A     | FINISH B     | FINISH C     |
|------|--------------|--------------|--------------|
|      | MATERIAL NO: | MATERIAL NO: | MATERIAL NO: |
| 02   | 43045-0200   | 43045-0201   | 43045-0202   |
| 04   | 43045-0400   | 43045-0401   | 43045-0402   |
| 06   | 43045-0600   | 43045-0601   | 43045-0602   |
| 08   | 43045-0800   | 43045-0801   | 43045-0802   |
| 10   | 43045-1000   | 43045-1001   | 43045-1002   |
| 12   | 43045-1200   | 43045-1201   | 43045-1202   |
| 14   | 43045-1400   | 43045-1401   | 43045-1402   |
| 16   | 43045-1600   | 43045-1601   | 43045-1602   |
| 18   | 43045-1800   | 43045-1801   | 43045-1802   |
| 20   | 43045-2000   | 43045-2001   | 43045-2002   |
| 22   | 43045-2200   | 43045-2201   | 43045-2202   |
| 24   | 43045-2400   | 43045-2401   | 43045-2402   |



|   |                                      |   |  |  |                        |
|---|--------------------------------------|---|--|--|------------------------|
| CORRECTED .482/12.24<br>EC NO: UCP2010-1324<br>DRAWN:TBENES 2009/11/25<br>CHKD:SSOUSEK 2009/11/25<br>APPR:FSMITH 2009/11/30 | QUALITY SYMBOLS<br>∇=0<br>∇=0<br>∇=0 | GENERAL TOLERANCES (UNLESS SPECIFIED)<br>mm INCH<br>4 PLACES ± --- ± ---<br>3 PLACES ± --- ± .010<br>2 PLACES ± 0.25 ± .014<br>1 PLACE ± 0.36 ± ---<br>ANGULAR ± 1/2° | DIMENSION STYLE<br>IN/MM<br>DRAWN BY DATE<br>SAMIEC 2000/03/15<br>CHECKED BY DATE<br>MUELLER 2000/03/15<br>APPROVED BY DATE<br>EDGLEY 2000/03/15 | SCALE<br>---<br>DESIGN UNITS<br>METRIC   | THIRD ANGLE PROJECTION |
|   |                                      | DRAFT WHERE APPLICABLE<br>MUST REMAIN<br>WITHIN DIMENSIONS  | MATERIAL NO.<br>SEE CHART  | TITLE<br>MICRO-FIT (3.0)<br>DUAL ROW RIGHT ANGLE<br>THRU HOLE HEADER ASSY  | MOLEX INCORPORATED     |
|   |                                      | SHEET NO.<br>1 OF 1   | DOCUMENT NO.<br>SD-43045-001   | THIS DRAWING CONTAINS INFORMATION THAT IS PROPRIETARY TO MOLEX<br>INCORPORATED AND SHOULD NOT BE USED WITHOUT WRITTEN PERMISSION |                        |
|   |                                      | REV<br>E2   |  |  |                        |

| CKTS | A<br>(SEE NOTE 6) | B              | C              |
|------|-------------------|----------------|----------------|
|      | 02                | .262<br>6.65   | NA             |
| 04   | .380<br>9.65      | .118<br>3.00   | NA             |
| 06   | .498<br>12.65     | .236<br>6.00   | NA             |
| 08   | .616<br>15.65     | .354<br>9.00   | .185<br>4.70   |
| 10   | .734<br>18.65     | .472<br>12.00  | .303<br>7.70   |
| 12   | .852<br>21.65     | .591<br>15.00  | .421<br>10.70  |
| 14   | .970<br>24.65     | .709<br>18.00  | .539<br>13.70  |
| 16   | 1.088<br>27.65    | .827<br>21.00  | .657<br>16.70  |
| 18   | 1.206<br>30.65    | .945<br>24.00  | .776<br>19.70  |
| 20   | 1.325<br>33.65    | 1.063<br>27.00 | .894<br>22.70  |
| 22   | 1.443<br>36.65    | 1.181<br>30.00 | 1.012<br>25.70 |
| 24   | 1.561<br>39.65    | 1.299<br>33.00 | 1.130<br>28.70 |