

**PLEASE CHECK WWW.MOLEX.COM FOR LATEST PART INFORMATION**

**Part Number:** [0351510110](#)  
**Status:** **Active**  
**Overview:** [versablade](#)  
**Description:** 1.80mm (.070") Pitch Wire-to-Wire VersaBlade™ Hybrid Plug Housing, 1 Circuit, Polyester UL94V-0, Natural

**Documents:**

[3D Model](#) [Product Specification PS-35150-001 \(PDF\)](#)  
[Drawing \(PDF\)](#) [RoHS Certificate of Compliance \(PDF\)](#)

**Agency Certification**

CSA LR19980  
TUV R72090206  
UL E29179

**General**

Product Family Crimp Housings  
Series [35151](#)  
Comments Polarized to Mating Part, Positive Lock  
Overview [versablade](#)  
Product Name VersaBlade™

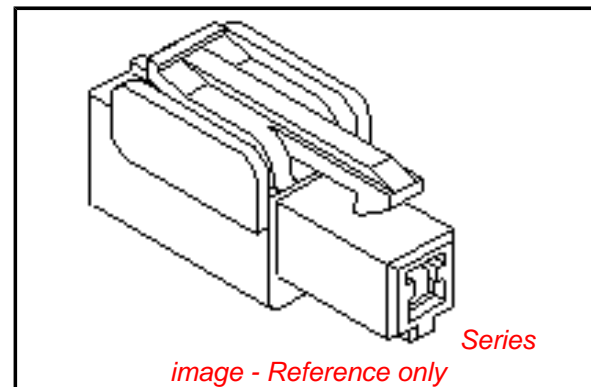
**Physical**

Breakaway No  
Circuits (maximum) 1  
Color - Resin Natural  
Flammability 94V-0  
Gender Female  
Glow-Wire Compliant No  
Keying to Mating Part None  
Lock to Mating Part Yes  
Material - Resin Polyester  
Number of Rows 1  
Packaging Type Bag  
Panel Mount No  
Pitch - Mating Interface (in) 0.000 In  
Pitch - Mating Interface (mm) 0.00 mm  
Polarized to Mating Part Yes  
Stackable No  
Temperature Range - Operating -40°C to +120°C

**Material Info**

**Reference - Drawing Numbers**

Product Specification PS-35150-001  
Sales Drawing SD-35151-0110



**EU RoHS**

**ELV and RoHS Compliant**  
**REACH SVHC**  
Not Reviewed  
**Halogen-Free Status**  
**Not Reviewed**

**China RoHS**



**Need more information on product environmental compliance?**

Email [productcompliance@molex.com](mailto:productcompliance@molex.com)  
For a multiple part number RoHS Certificate of Compliance, [click here](#)

Please visit the [Contact Us](#) section for any non-product compliance questions.

**Search Parts in this Series**

[35151Series](#)

**Mates With**

[35150-0100](#) Receptacle Housing

**Use With**

VersaBlade™ Crimp Terminals, [35746](#),  
[35182](#) TPA™

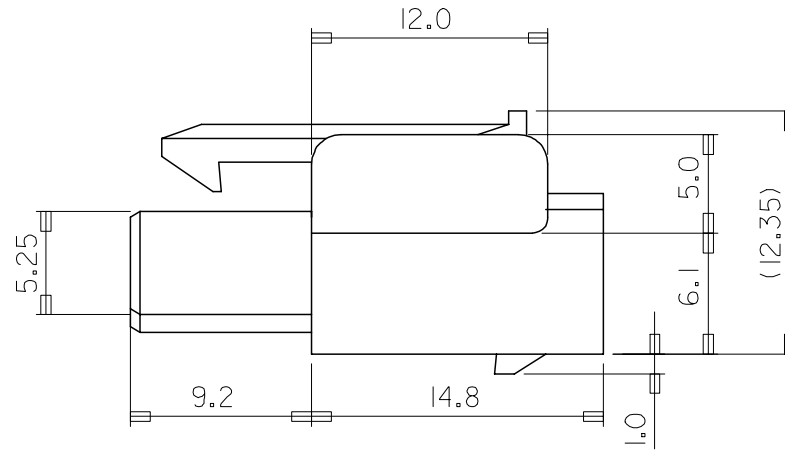
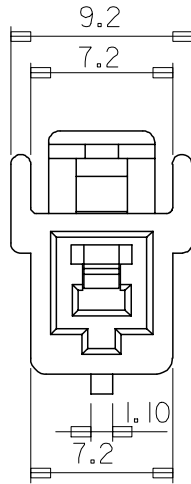
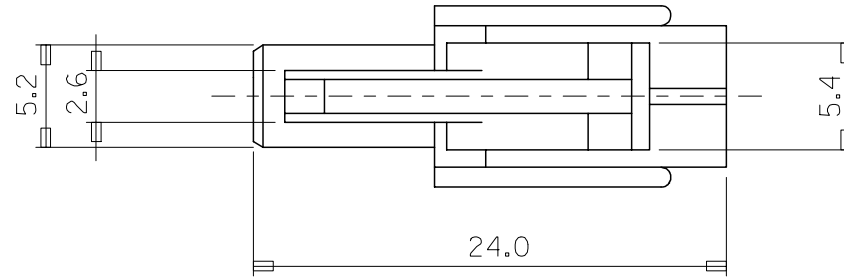
10 9 8 7 6 5 4 3 2 1

F

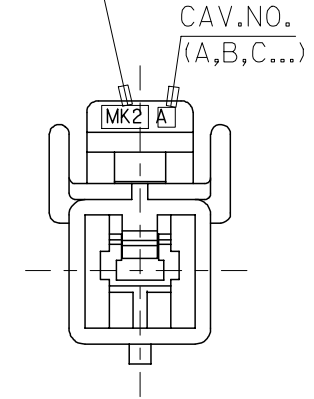
F

NOTES

1. HOUSING COLOR: SEE TABLE
2. MATING HOUSING: 35150-0100
3. APPLICABLE TERMINAL: 35746-0\*10
4. APPLICABLE TPA: 35182-019\*



TRADE MARK  
(MK2)



D

D

C

C

B

B

NO	PRODUCT		MATERIAL	
	PART NO	MATERIAL NO	COLOR	DESCRIPTION
1	35151-0110	351510110	NATURAL	PBT (UL94V-0)
2	35151-0112	351510112	RED	
3	35151-0114	351510114	BLUE	PBT/PC
4	35151-0119	351510119	NATURAL	

REVISED  
EC NO: KOR2008-0078  
DRWN: JHPARK01 2007/09/10  
CHKD: WY. YANG 2007/09/10  
APPR: YUNSIKKIM 2007/09/10

QUALITY SYMBOLS  
 =0  
 =0

	GENERAL TOLERANCES (UNLESS SPECIFIED)	
	mm	INCH
4 PLACES	± .005	± .0004
3 PLACES	± .002	± .0001
2 PLACES	± .001	± .00005
1 PLACE	± 0.3	± .012
ANGULAR ± 1 °		

DRAFT WHERE APPLICABLE MUST REMAIN WITHIN DIMENSIONS

DIMENSION STYLE	
MM ONLY	DATE
DRAWN BY	DATE
WY. YANG	
CHECKED BY	DATE
APPROVED BY	DATE
MATERIAL NO.	DATE

SCALE	DESIGN UNITS	THIRD ANGLE PROJECTION
4:1	METRIC	
.070 W/W PLUG HSG-1P		
MOLEX INCORPORATED		SHEET NO.
SD-35151-0110		1 OF 01
THIS DRAWING CONTAINS INFORMATION THAT IS PROPRIETARY TO MOLEX INCORPORATED AND SHOULD NOT BE USED WITHOUT WRITTEN PERMISSION		

9 8 7 6 5 4 3 2 1

A

A