

PLEASE CHECK WWW.MOLEX.COM FOR LATEST PART INFORMATION

Part Number: [0003092091](#)
Status: **Active**
Overview: [standard_093](#)
Description: 2.36mm (.093") Diameter Standard .093 Pin and Socket Plug Housings, 9 Circuits, 3 Rows

Documents:

3D Model	Product Specification PS-1292-002 (PDF)
Packaging Specification (PDF)	Product Specification PS-42477 (PDF)
Drawing (PDF)	Product Specification PS-43660-9999 (PDF)
Product Specification PS-02-09 (PDF)	RoHS Certificate of Compliance (PDF)
Product Specification PS-1292-001 (PDF)	

Agency Certification

CSA	LR19980
UL	E29179

General

Product Family	Crimp Housings
Series	1292
Comments	14.0A max. can be achieved when housing is used with 42477 or 42478 terminals
MolexKits	Yes
Overview	standard_093
Product Name	Standard .093"

Physical

Circuits (maximum)	9
Color - Resin	Natural
Flammability	94V-2
Gender	Dual
Glow-Wire Compliant	No
Material - Resin	Nylon
Number of Rows	3
Packaging Type	Bag
Panel Mount	Yes
Pitch - Mating Interface (in)	0.198 In
Pitch - Mating Interface (mm)	5.03 mm
Stackable	No
Temperature Range - Operating	-40°C to +105°C

Electrical

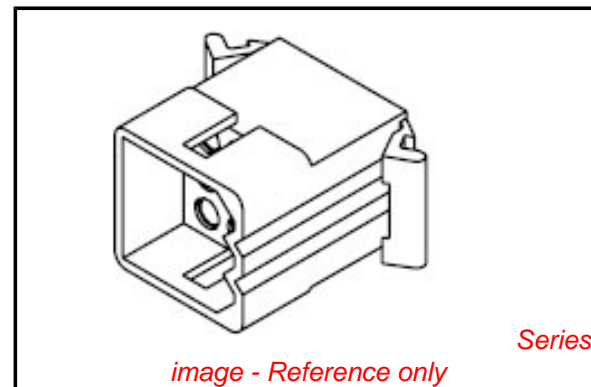
Current - Maximum per Contact	11A
-------------------------------	-----

Material Info

Old Part Number	1292-P
-----------------	--------

Reference - Drawing Numbers

Packaging Specification	PK-1292-001
Product Specification	PS-02-09, PS-1292-001, PS-1292-002, PS-42477, PS-43660-9999
Sales Drawing	SD-1292-*



EU RoHS

ELV and RoHS Compliant
REACH SVHC
Contains SVHC: No
Halogen-Free
Status
Not Reviewed

China RoHS



Need more information on product environmental compliance?

Email productcompliance@molex.com
 For a multiple part number RoHS Certificate of Compliance, [click here](#)

Please visit the [Contact Us](#) section for any non-product compliance questions.

Search Parts in this Series

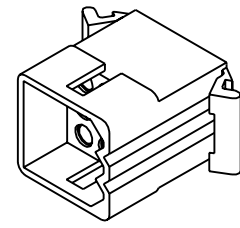
[1292Series](#)

Mates With

1292r

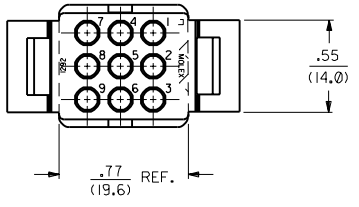
Use With

[1189](#) Crimp Terminals, [1190](#) Crimp Terminals, [1376](#) Male PC Tail Terminals, [1377](#) Female PC Tail Terminals, [1380](#) Male Crimp Terminals, [1381](#) Female Crimp Terminals, [1433](#) Crimp Terminals, [1434](#) Male Crimp Terminals, [1973](#) , [2151](#) , [2273](#) , [2870](#) , [2871](#) , [4272](#) , [4550](#) , [6271](#) , [6310](#) , [42477](#) , [42478](#)

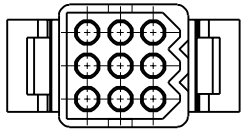
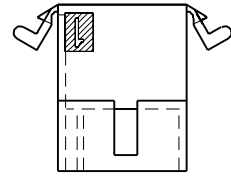
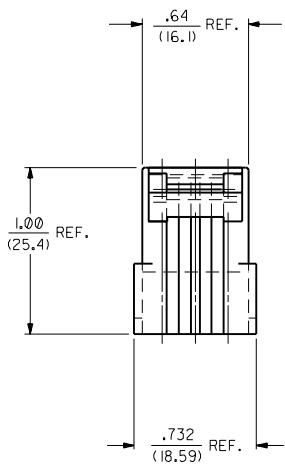
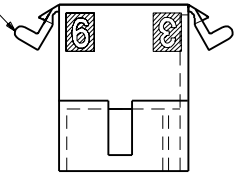


OPTIONAL PLUG

(SHOWN WITH PREBENT MOUNTING EARS)
 FOR ALL OTHER DIMENSIONS AND SPECS
 SEE STANDARD PLUG ON SHEET I.



MOUNTING EAR OPTION
 SEE DETAIL 4 AND NOTE 3



DIMENSIONS SHOWN METRIC (INCH)		UNLESS OTHERWISE SPECIFIED TOLERANCES: ANGULAR $\pm .2^\circ$		REVISE ONLY ON CAD SYSTEM	
INCH		METRIC		TITLE	
3 PLACE	$\pm .010$	---		.093/(2.36) HOUSING, PLUG AND RECEPTACLE, 9 CKT. $\pm .198/(5.03)$ CTRS.	
2 PLACE	$\pm .014$	± 0.25		MOLEX INCORPORATED	
1 PLACE	---	± 0.35		LITSEJLL. 60532 U.S.A. SHEET NO. 2 DATE 2/18/89	
DRAFT WHERE APPLICABLE MUST REMAIN WITHIN DIMENSIONS				PART NO. SD-1292-*	
DRWG. BY CEP		CHKD. BY RW		SEE CHART	
APP'D. BY RAS		SCALE 2 : 1		DIV. CP	
LTR.	REVISIONS	LTR.	REVISIONS		

PLUG	
PART NO.	ENG. NO.
03-09-2091	I292-P
03-09-2092	I292-PI
03-09-7091	I292-PBK
03-09-7092	I292-PIBK
NOT TOOLED	I292-P2
27-09-2092	I292-PI-A

RECEPTACLE	
PART NO.	ENG. NO.
03-09-1091	I292-R
03-09-1092	I292-RI
03-09-6091	I292-RBK
03-09-6092	I292-RIBK
03-09-1093	I292-R2
03-09-6093	I292-R2BK
03-09-1094	I292-R3
03-09-6094	I292-R3BK
27-09-1093	I292-R2-A

LEGEND: PLUG

I292-P***-*

P = PLUG

BLANK = OPT. PLUG WITH PREBENT EARS

1 = STD. PLUG WITHOUT PREBENT EARS

2 = STD. PLUG WITH PREBENT EARS & RIBS

COLOR: BLANK=NATURAL COLOR

AM=AMBER BK=BLACK BU=BLUE

BN=BROWN GY=GRAY GN=GREEN

OR=ORANGE RD=RED YW=YELLOW

MATERIAL: BLANK = NYLON 6/6, U.L. 94V-2

A = NYLON 6/6, U.L. 94V-0

LEGEND: RECEPTACLE

I292-R***-*

R = RECEPTACLE

BLANK = WITH PREBENT EARS, WITH LOCK RAMP

1 = WITH PREBENT EARS, WITHOUT LOCK RAMP

2 = WITHOUT EARS, WITHOUT LOCK RAMP

3 = WITHOUT EARS, WITH LOCK RAMP

COLOR: BLANK=NATURAL COLOR

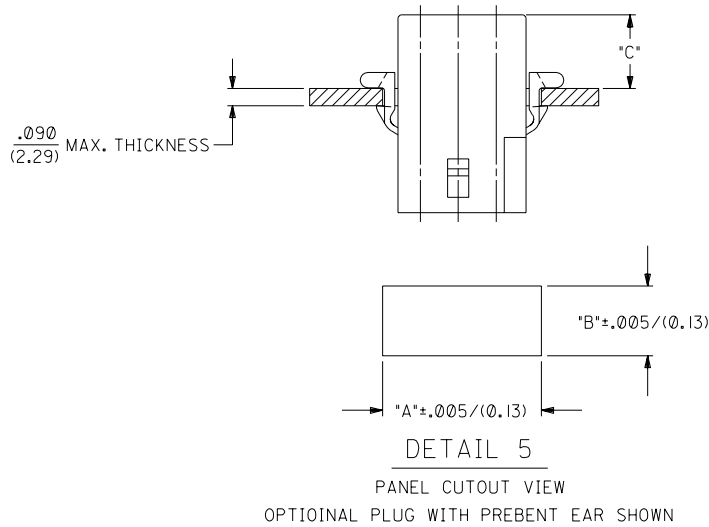
AM=AMBER BK=BLACK BU=BLUE

BN=BROWN GY=GRAY GN=GREEN

OR=ORANGE RD=RED YW=YELLOW

MATERIAL: BLANK = NYLON 6/6, U.L. 94V-2

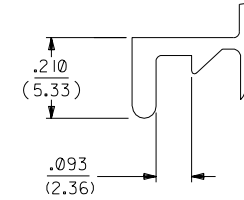
A = NYLON 6/6, U.L. 94V-0



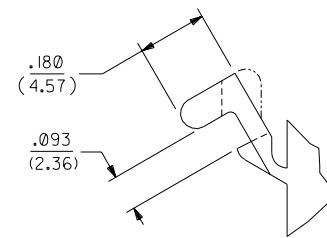
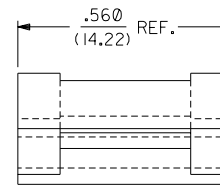
HOUSING	DIM. "A"	DIM. "B"	DIM. "C" (STD. EAR)	DIM. "C" (PREBENT)
STD. PLUG	.930/(23.62)	.760/(19.30)	N/A	.39/(9.9)
OPT. PLUG	.937/(23.80)	.660/(16.76)	.13/(3.3)	N/A
RECEPTACLE	.828/(21.03)	.725/(18.42)	.37/(9.4)	.41/(10.4)

NOTES:

- 1 THESE PARTS COMPLY WITH MOLEX PRODUCT SPEC. 02-09.
- 2 HOUSINGS FOR USE WITH MOLEX .093/(2.36) PIN AND SOCKET TERMINALS.
- 3 RIBS ARE PRESENT ONLY ON STANDARD PLUG WITH PREBENT MOUNTING EARS. FOR PLUG HOUSINGS REQUIRING MOUNTING EARS, ONLY PREBENT STYLE IS AVAILABLE.



DETAIL 3
.093/(2.36) STANDARD MOUNTING EAR
(SCALE 4:1)



DETAIL 4
.093/(2.36) PREBENT MOUNTING EAR
(SCALE 4:1)

DIMENSIONS SHOWN (METRIC) INCH UNLESS OTHERWISE SPECIFIED TOLERANCES: ANGULAR $\pm .002$		REVISE ONLY ON CAD SYSTEM	
3 PLACE $\pm .010$ ---		TITLE .093/(2.36) HOUSING, PLUG AND RECEPTACLE, 9 CKT. $\pm .198/(5.03)$ CTRS.	
2 PLACE $\pm .014$ ± 0.25		MOLEX INCORPORATED SHEET NO. DATE U.S.A. 4 2/18/89	
1 PLACE --- ± 0.35		PART NO. DRWG. NO. SEE CHART SD-1292-*	
DRAFT WHERE APPLICABLE MUST REMAIN WITHIN DIMENSIONS		FILE NAME DIV. SIZE 51292X4 068 MOLEX INC. AND SHOULD NOT BE USED WITHOUT WRITTEN PERMISSION CP C	
DRWG. BY: GEP	CHK'D. BY: RW		
APP'D. BY: RAS	SCALE: 2:1		

LTR.	REVISIONS	LTR.	REVISIONS
	T	SEE SHT. I	
	S2	SEE SHT. I	
	S1	SEE SHT. I	
	S	SEE SHT. I	
	R	SEE SHT. I	