

PLEASE CHECK WWW.MOLEX.COM FOR LATEST PART INFORMATION

Part Number: [0003061042](#)
Status: **Active**
Overview: [standard .062](#)
Description: 1.57mm (.062") Diameter Standard .062 Pin and Socket Receptacle Housing, 4 Circuits, Without Mounting Ears

Documents:

[3D Model](#) [Product Specification PS-02-06 \(PDF\)](#)
[Drawing \(PDF\)](#) [RoHS Certificate of Compliance \(PDF\)](#)
[Packaging Specification \(PDF\)](#)

Agency Certification

CSA	LR19980
TUV	R72081037
UL	E29179

General

Product Family	Crimp Housings
Series	1625
Comments	Polarized to Mating Part
Overview	standard .062
Product Name	Standard .062"

Physical

Breakaway	No
Circuits (maximum)	4
Circuits Detail	1x4
Color - Resin	Natural
Flammability	94V-2
Gender	Receptacle
Glow-Wire Compliant	No
Keying to Mating Part	None
Lock to Mating Part	Yes
Material - Resin	Nylon
Number of Rows	1
Packaging Type	Bag
Panel Mount	No
Pitch - Mating Interface (in)	0.145 In
Pitch - Mating Interface (mm)	3.68 mm
Pitch - Term. Interface (in)	0.145 In
Pitch - Term. Interface (mm)	3.96 mm
Polarized to Mating Part	Yes
Stackable	No
Temperature Range - Operating	-40°C to +105°C

Electrical

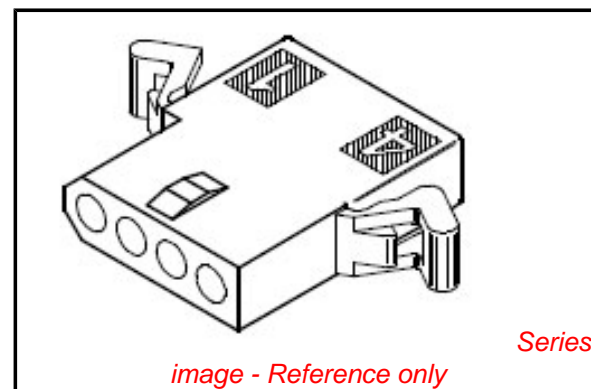
Current - Maximum per Contact	5A
-------------------------------	----

Material Info

Old Part Number	1625-4R1
-----------------	----------

Reference - Drawing Numbers

Packaging Specification	PK-1625-001, PK-1625-003
Product Specification	PS-02-06
Sales Drawing	SD-1625-4*



EU RoHS

ELV and RoHS Compliant
REACH SVHC Contains SVHC: No
Halogen-Free Status
Not Reviewed

China RoHS



Need more information on product environmental compliance?

Email productcompliance@molex.com
 For a multiple part number RoHS Certificate of Compliance, [click here](#)

Please visit the [Contact Us](#) section for any non-product compliance questions.

Search Parts in this Series

[1625Series](#)

Mates With

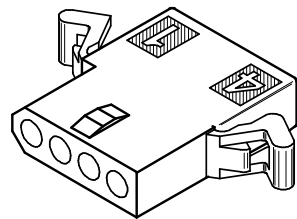
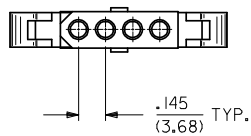
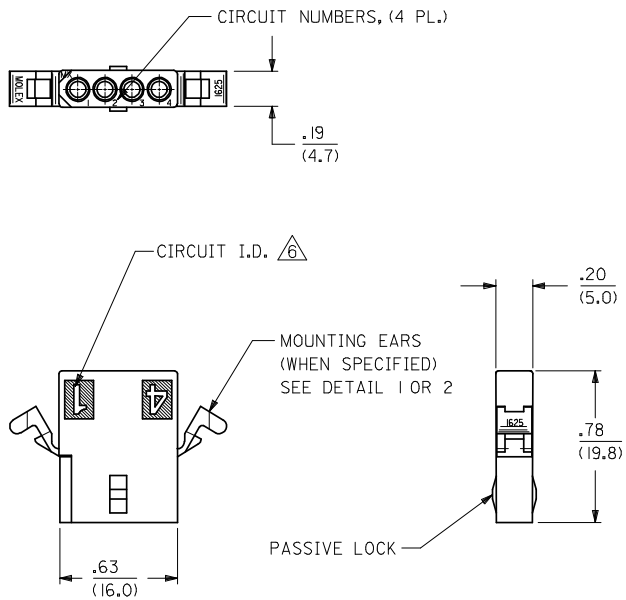
[1625 Plug](#)

Use With

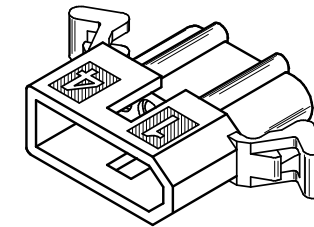
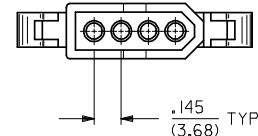
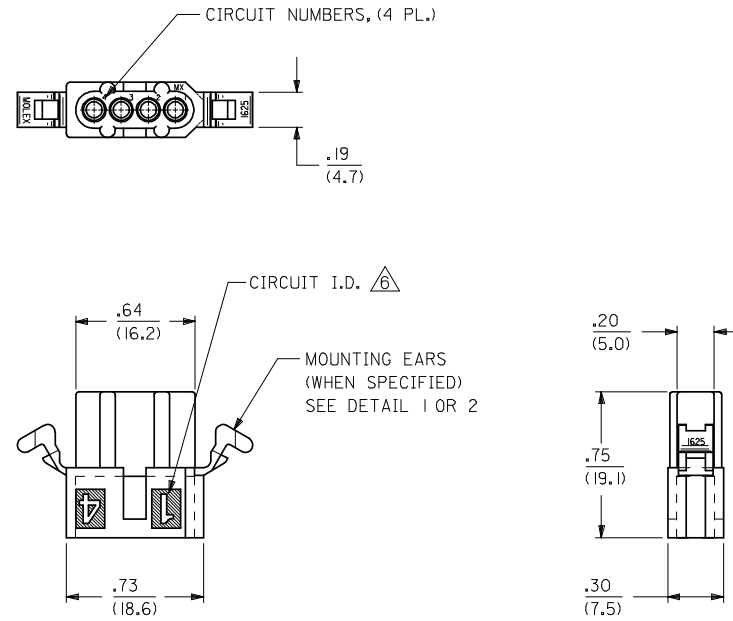
Female Crimp Terminals [1561Link:4559](#), [4529](#), [2190](#), [2189](#), [1787](#), [1855](#). Male Crimp Terminals [1560](#), [1786](#), [1854](#), [1778](#). Male PC Tail Terminals. [1779](#) Female PC Tail Terminals

This document was generated on 06/07/2010

PLEASE CHECK WWW.MOLEX.COM FOR LATEST PART INFORMATION



RECEPTACLE HOUSING



PLUG HOUSING

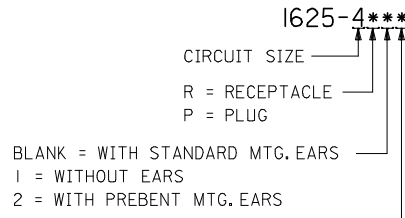
2	N
1	N
SHT.	REV.

UPDATE REV. LEVEL EC NO: UCP2008-2649 DRWN: JELHAG CHKD: JBELL APPR: FSM/TH	2008/05/02 2008/07/21 2008/08/04	DESCRIPTION REV.	QUALITY SYMBOLS $\nabla=0$ $\nabla=0$	GENERAL TOLERANCES (UNLESS SPECIFIED)		DIMENSION STYLE IN/MM		SCALE ---	DESIGN UNITS INCH	\odot \square THIRD ANGLE PROJECTION
				4 PLACES \pm --- \pm --- 3 PLACES \pm --- \pm .010 2 PLACES \pm 0.25 \pm .014 1 PLACE \pm 0.36 \pm --- ANGULAR \pm 1°	mm INCH	DRAWN BY GC DATE 8/17/92	CHECKED BY RW DATE 8/17/92	TITLE PLUG & RECEPTACLE HOUSINGS, 4 CIRCUIT, .062 DIA., .145 CENTERS		
DRAFT WHERE APPLICABLE MUST REMAIN WITHIN DIMENSIONS				MATERIAL NO. SEE CHART		APPROVED BY RAS DATE 8/17/92		MOLEX INCORPORATED		SHEET NO. 1 OF 2
				SIZE <input checked="" type="checkbox"/>		THIS DRAWING CONTAINS INFORMATION THAT IS PROPRIETARY TO MOLEX INCORPORATED AND SHOULD NOT BE USED WITHOUT WRITTEN PERMISSION				DOCUMENT NO. SD-1625-4*

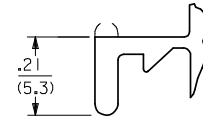
PLUG		
PART NO.	ENG. NO.	
03-06-2041	I625-4P	
03-06-7041	I625-4PBK	OBSOLETE
03-06-2042	I625-4P1	
03-06-7042	I625-4P1BK	
NOT TOOLED	I625-4P2	
NOT TOOLED	I625-4P2BK	
	-	
	-	

RECEPTACLE		
PART NO.	ENG. NO.	
03-06-1041	I625-4R	OBSOLETE
03-06-6041	I625-4RBK	OBSOLETE
03-06-1042	I625-4R1	
03-06-6042	I625-4R1BK	
50-29-1758	I625-4R2	
	-	
	-	
	-	

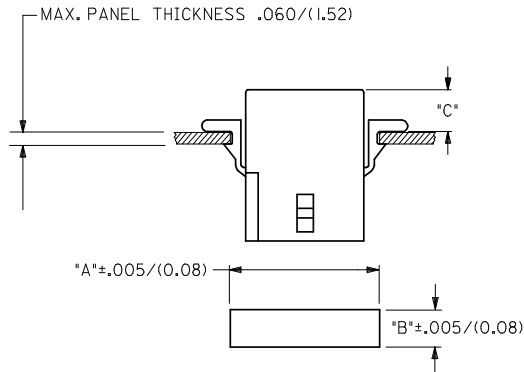
LEGEND:



BLANK = NOT DYED
 AM=AMBER BK=BLACK BU=BLUE
 BN=BROWN GY=GRAY GN=GREEN
 OR=ORANGE RD=RED YW=YELLOW

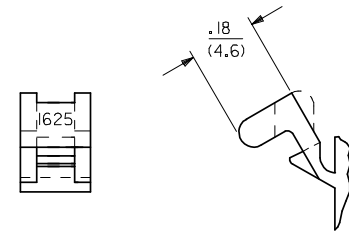


DETAIL 1
 STANDARD MOUNTING EARS
 (SCALE 4:1)



RECOMMENDED PANEL OPENING

HOUSING	DIM. "A"	DIM. "B"	"C" PREBENT EAR	"C" STANDARD EAR
PLUG	.865/(21.97)	.312/(7.92)	.19/(4.8)	.18/(4.6)
RECEPT.	.785/(19.94)	.260/(6.60)	.21/(5.3)	.20/(5.1)



DETAIL 2
 PREBENT MOUNTING EARS
 (SCALE 4:1)

NOTES

- MATERIAL - NYLON TYPE 6/6, 94V-2
- FINISH: N/A.
- THIS PRODUCT COMPLIES WITH MOLEX PRODUCT SPECIFICATION PS-02-06
- PACKAGING: PK-1625-003.
- HOUSINGS FOR USE WITH MOLEX .062/(1.57) DIA. SERIES TERMINALS.
- CIRCUIT I.D. NUMBERS ON SIDE OF HOUSING APPEAR ON PARTS FROM TOOLS BUILT AFTER 8/10/92. PARTS FROM TOOLS BUILT BEFORE THIS DATE WILL HAVE CIRCUIT I.D. RIBS ON HOUSING.
- PARTS CONFORM TO CLASS 'B' REQUIREMENTS OF COSMETIC SPECIFICATION PS-45499-002.

OBSOLETE 1625-4R EC NO: UCP2008-2649 DRWN: AELHAG 2008/05/02 CHKD: JBELL 2008/07/21 APPR: FSM/TH 2008/08/04	QUALITY SYMBOLS	GENERAL TOLERANCES (UNLESS SPECIFIED)	DIMENSION STYLE	SCALE	DESIGN UNITS	THIRD ANGLE PROJECTION															
	$\nabla=0$ $\nabla=0$	<table border="1"> <tr> <th></th> <th>mm</th> <th>INCH</th> </tr> <tr> <td>4 PLACES</td> <td>±---</td> <td>±---</td> </tr> <tr> <td>3 PLACES</td> <td>±---</td> <td>±.010</td> </tr> <tr> <td>2 PLACES</td> <td>±0.25</td> <td>±.014</td> </tr> <tr> <td>1 PLACE</td> <td>±0.36</td> <td>±---</td> </tr> </table>		mm	INCH	4 PLACES	±---	±---	3 PLACES	±---	±.010	2 PLACES	±0.25	±.014	1 PLACE	±0.36	±---	IN/MM	---	INCH	
		mm	INCH																		
	4 PLACES	±---	±---																		
3 PLACES	±---	±.010																			
2 PLACES	±0.25	±.014																			
1 PLACE	±0.36	±---																			
REV	DESCRIPTION	DRAFT WHERE APPLICABLE MUST REMAIN WITHIN DIMENSIONS	DRAWN BY DATE GC 8/17/92 CHECKED BY DATE RW 8/17/92 APPROVED BY DATE RAS 8/17/92		TITLE PLUG & RECEPTACLE HOUSINGS, 4 CIRCUIT, .062 DIA., .145 CENTERS MOLEX INCORPORATED SD-1625-4*	SHEET NO. 2 OF 2															
			SEE CHART																		
			THIS DRAWING CONTAINS INFORMATION THAT IS PROPRIETARY TO MOLEX INCORPORATED AND SHOULD NOT BE USED WITHOUT WRITTEN PERMISSION																		