

PLEASE CHECK WWW.MOLEX.COM FOR LATEST PART INFORMATION

Part Number: **0190050009**
Status: **Active**
Description: InsulKrimp™ Fully Insulated Coupler, Female, for 14-16 AWG Wire, Mylar Tape

Documents:

[Drawing \(PDF\)](#) [RoHS Certificate of Compliance \(PDF\)](#)
[Product Specification PS-19902-008 \(PDF\)](#)

Agency Certification

CSA LR18689
 UL E79133

General

Product Family Quick Disconnects
 Series [19005](#)
 Crimp Quality Equipment Yes
 Product Name InsulKrimp™
 Type Quick Disconnect

Physical

Barrel Type Closed
 Color - Resin Natural
 Flammability 94V-0
 Gender Female
 Glow-Wire Compliant No
 Insulation Nylon (PA)
 Lock to Mating Part None
 Material - Metal Brass
 Material - Resin Nylon
 Orientation Straight
 Packaging Type Adhesive Tape on Reel
 Polarized to Mating Part No
 Tab Thickness 0.81mm (.032")
 Tab Width 6.35mm (.250")
 Temperature Range - Operating -65°C to +105°C
 Wire Insulation Diameter 4.19mm (.165") max.
 Wire Size AWG 14, 16
 Wire Size mm² 1.30 - 2.00

Electrical

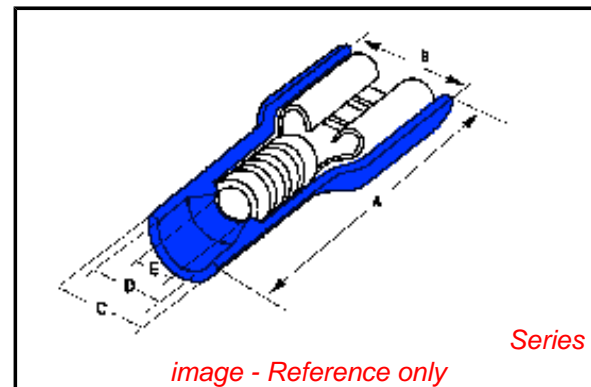
Voltage - Maximum 600V

Material Info

Old Part Number BB-2263T

Reference - Drawing Numbers

Product Specification PS-19902-008
 Sales Drawing SD-19005-001



EU RoHS

ELV and RoHS Compliant
REACH SVHC
 Not Reviewed
Halogen-Free Status
 Not Reviewed

China RoHS



Need more information on product environmental compliance?

Email productcompliance@molex.com
 For a multiple part number RoHS Certificate of Compliance, [click here](#)

Please visit the [Contact Us](#) section for any non-product compliance questions.

Search Parts in this Series

[19005Series](#)

Use With

[19004-0005](#) , [19004-0008](#)

Application Tooling | FAQ

Tooling specifications and manuals are found by selecting the products below. Crimp Height Specifications are then contained in the Application Tooling Specification document.

Global

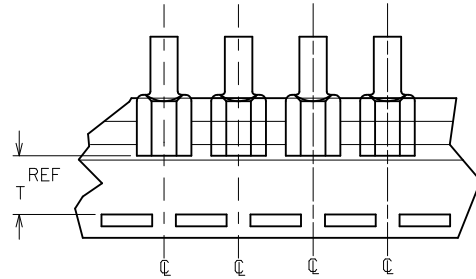
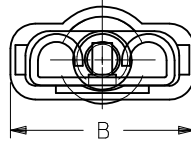
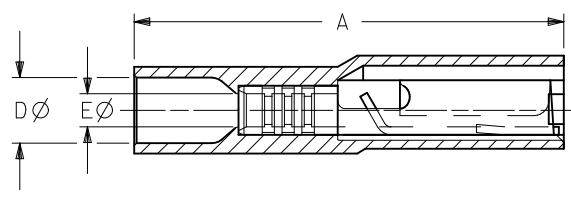
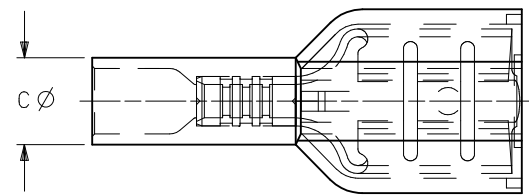
Description	Product #
Crimp Dies for MTA-100 Tape Applicator used in 3BF Press, MTA-105 Tape Applicator used in TM-2000™ Press, and ATP-301 Air Crimping Press for Mylar Tape Mounted Terminals	0192880095

This document was generated on 04/12/2010

PLEASE CHECK WWW.MOLEX.COM FOR LATEST PART INFORMATION

10	9	8	7	6	5	4	3	2	19005				
MATERIAL NO. LOOSE PC	ENGINEERING NO. LOOSE PC	MATERIAL NO. ON TAPE	ENGINEERING NO. ON TAPE	WIRE SIZE	ACCEPTS TAB SIZE	COLOR	STOCK THKNS (REF)	A MAX	B MAX	C MAX	D MWID	E MIN	T REF
190050001	AA-2261	190050004	AA-2261T	22-18	.250x.032/6.35x0.81	RED	.018/0.46	.89/22.6	.38/9.7	.23/5.9	.16/4.1	.08/2.0	.52/13.2
190050005	BB-2263	190050009	BB-2263T	16-14	.250x.032/6.35x0.81	BLUE	.018/0.46	.89/22.6	.38/9.7	.23/5.9	.16/4.1	.08/2.0	.52/13.2
190050010	C-2265	190050015	C-2265T	12-10	.250x.032/6.35x0.81	YELLOW	.018/0.46	1.04/26.4	.38/9.7	.34/8.7	.27/6.8	.14/3.5	.51/13.0

(B1) (B1) (B1)



TAPE MOUNTING DETAIL

- NOTES:
1. TERMINAL MATERIAL: BRASS
 2. TERMINAL FINISH: TIN PLATED
 3. INSULATION MATERIAL: MOLDED NYLON
 4. MWID = MAXIMUM WIRE INSULATION DIAMETER
 5. ASSEMBLY IS ROHS COMPLIANT.

REVISED TOLERANCES EC NO: WNA2010-0574 DRW: WETHRODAHL 2010/03/15 CHKD: JMACNEIL 2010/03/15 APPR: JMACNEIL 2010/03/24	QUALITY SYMBOLS	GENERAL TOLERANCES (UNLESS SPECIFIED)	DIMENSION STYLE (B1) IN/MM	SCALE ---	DESIGN UNITS INCH	THIRD ANGLE PROJECTION
	▽=0	mm INCH	DRAWN BY EMF	DATE 1993/06/25	TITLE FULLY INSULATED FEMALE COUPLER	
	▽E=0	4 PLACES ± --- ± --- 3 PLACES ± --- ± --- 2 PLACES ± --- ± --- 1 PLACE ± --- ± ---	CHECKED BY ---	DATE ---	MOLEX INCORPORATED	
		ANGULAR ± ---°	APPROVED BY JMACNEIL	DATE 2010/03/19	DOCUMENT NO. SD-19005-001	SHEET NO. 1 OF 1
		DRAFT WHERE APPLICABLE MUST REMAIN WITHIN DIMENSIONS	SEE CHART	THIS DRAWING CONTAINS INFORMATION THAT IS PROPRIETARY TO MOLEX INCORPORATED AND SHOULD NOT BE USED WITHOUT WRITTEN PERMISSION		