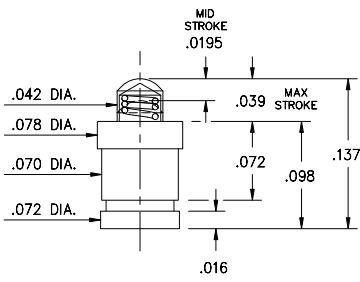


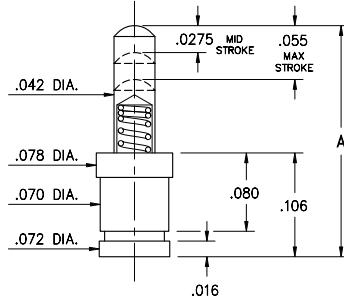
0910-0

0910-1⇒4



0910-0-57-20-76-14-11-0

Short Stroke, Surface mount
Packaged on 16mm wide carrier
tape: 1,500 parts per 13" reel.



0910-X-57-20-75-14-11-0

Standard Stroke, Surface mount
Packaged on carrier tape.
See chart for tape width and qty. per reel

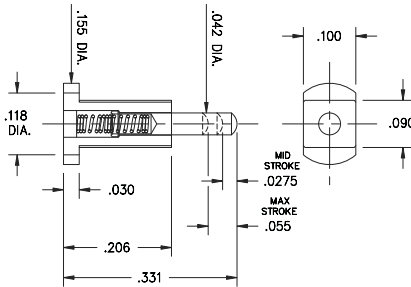


Basic Part Number	Length A
0910-1	.177
0910-2	.197
0910-3	.217
0910-4	.236

Basic Part Number	Tape Width	Quantity per Reel
0910-1	16mm	1,500
0910-2	24mm	1,100
0910-3	24mm	1,100
0910-4	24mm	1,100

0967

0990-0

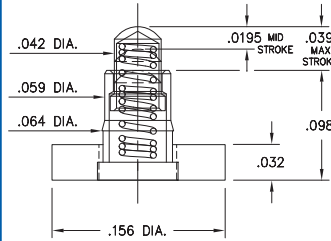
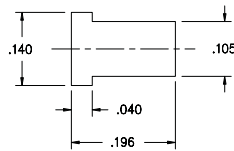


0967-0-15-20-75-14-11-0

Standard Stroke, Horizontal Surface mount
Also available on 16mm wide carrier
tape: 2,200 parts per 13" reel.
Order as: 0967-0-58-20-75-14-11-0



P.C.B. Layout

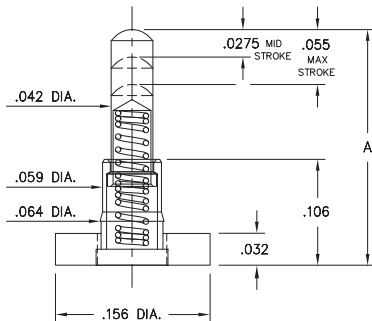


0990-0-50-20-76-14-11-0

Short Stroke, Surface mount
Large Base

0990-1⇒4

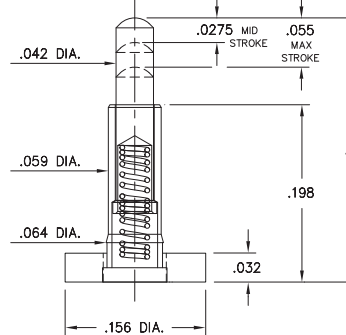
0997-0⇒9



Basic Part Number	Length A
0990-1	.177
0990-2	.197
0990-3	.217
0990-4	.236

0990-X-50-20-75-14-11-0

Standard Stroke, Surface mount
Large Base



Basic Part Number	Length A
0997-0	.255
0997-1	.275
0997-2	.295
0997-3	.315
0997-4	.335
0997-5	.350
0997-6	.370
0997-7	.390
0997-8	.410
0997-9	.430

0997-X-50-20-75-14-11-0

Standard Stroke, Surface mount
Large Base

ORDER CODE: 09XX - X - XX - 20 - 7X - 14 - 11 - 0

Spring Number ↗

MATERIAL SPECIFICATIONS:

- SLEEVE & PLUNGER MATERIAL: Copper Alloy
- SPRING MATERIAL: Beryllium Copper
- SLEEVE & PLUNGER FINISH: 20 μ" Gold over Nickel
- SPRING FINISH: 10 μ" Gold over Nickel
- DIMENSION IN INCHES:
- TOLERANCES ON: LENGTHS: ±.006
DIAMETERS: ±.002
ANGLES: ± 2°



MECHANICAL & ELECTRICAL SPECIFICATIONS:

- DURABILITY: 1,000,000 cycles
- CURRENT RATING: 2A continuous, 3A peak
- CONTACT RESISTANCE: 20 mΩ max.

SPRING NUMBER	Mid. STROKE	Max. STROKE	FORCE @ Mid. Stroke	Initial Force (Pre-load)
75	.0275	.055	60 g	25 g
76	.0195	.039	60 g	25 g

75 & 76 Springs are not Interchangeable