



Four 1-Bit, 10MHz, 2nd-Order, Delta-Sigma Modulators

FEATURES

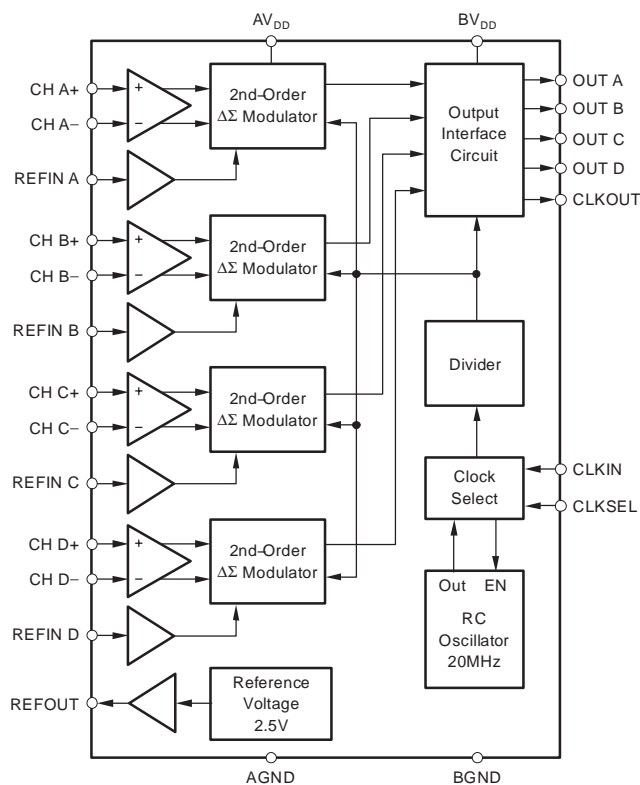
- 16-Bit Resolution
- 14-Bit Linearity
- Resolution/Speed Trade-Off:
10-Bit Effective Resolution with 10 μ s Signal Delay (12-Bit with 19 μ s)
- $\pm 2.5V$ Input Range at 2.5V
- Internal Reference Voltage: 2%
- Gain Error: 0.5%
- Four Independent Delta-Sigma Modulators
- Four Input Reference Buffers
- Onboard 20MHz Oscillator
- Selectable Internal or External Clock
- Operating Temperature Range:
-40°C to +85°C
- QFN-32 (5x5) Package

APPLICATIONS

- Motor Control
- Current Measurement
- Industrial Process Control
- Instrumentation
- Smart Transmitters
- Portable Instruments
- Weight Scales
- Pressure Transducers

DESCRIPTION

The ADS1204 is a four-channel, high-performance device, with four delta-sigma ($\Delta\Sigma$) modulators with 100dB dynamic range, operating from a single +5V supply. The differential inputs are ideal for direct connection to transducers in an industrial environment. With the appropriate digital filter and modulator rate, the device can be used to achieve 16-bit analog-to-digital (A/D) conversion with no missing code. Effective resolution of 12 bits can be obtained with a digital filter data rate of 160kHz at a modulator rate of 10MHz. The ADS1204 is designed for use in medium- to high-resolution measurement applications including current measurements, smart transmitters, industrial process control, weight scales, chromatography, and portable instrumentation. It is available in a QFN-32 (5x5) package.



Please be aware that an important notice concerning availability, standard warranty, and use in critical applications of Texas Instruments semiconductor products and disclaimers thereto appears at the end of this data sheet.

All trademarks are the property of their respective owners.



This integrated circuit can be damaged by ESD. Texas Instruments recommends that all integrated circuits be handled with appropriate precautions. Failure to observe proper handling and installation procedures can cause damage.

ESD damage can range from subtle performance degradation to complete device failure. Precision integrated circuits may be more susceptible to damage because very small parametric changes could cause the device not to meet its published specifications.

ORDERING INFORMATION

PRODUCT	MAXIMUM INTEGRAL LINEARITY ERROR (LSB)	MAXIMUM GAIN ERROR (%)	PACKAGE-LEAD	PACKAGE DESIGNATOR(1)	SPECIFIED TEMPERATURE RANGE	PACKAGE MARKING	ORDERING NUMBER	TRANSPORT MEDIA, QUANTITY
ADS1204	±3	±0.5	QFN-32	RHB	-40°C to +85°C	ADS1204I	ADS1204IRHBT ADS1204IRHBR	Tape and Reel, 250 Tape and Reel, 3000

(1) For the most current specification and package information, refer to our web site at www.ti.com.

ABSOLUTE MAXIMUM RATINGS

over operating free-air temperature range unless otherwise noted(1)

	ADS1204	UNIT
Supply Voltage, AV _{DD} to AGND	-0.3 to 6	V
Supply Voltage, BV _{DD} to BGND	-0.3 to 6	V
Analog Input Voltage with Respect to AGND	AGND - 0.3 to AV _{DD} + 0.3	V
Reference Input Voltage with Respect to AGND	AGND - 0.3 to AV _{DD} + 0.3	V
Digital Input Voltage with Respect to BGND	BGND - 0.3 to BV _{DD} + 0.3	V
Ground Voltage Difference, AGND to BGND	±0.3	V
Voltage Differences, BV _{DD} to AGND	-0.3 to 6	V
Input Current to Any Pin Except Supply	±10	mA
Power Dissipation	See Dissipation Rating Table	
Operating Virtual Junction Temperature Range, T _J	-40 to +150	°C
Operating Free-Air Temperature Range, T _A	-40 to +85	°C
Storage Temperature Range, T _{STG}	-65 to +150	°C
Lead Temperature (1.6mm or 1/16" from case for 10s)	260	°C

(1) Stresses beyond those listed under *Absolute Maximum Ratings* may cause permanent damage to the device. These are stress ratings only, and functional operation of the device at these or any other conditions beyond those indicated under *Recommended Operating Conditions* is not implied. Exposure to absolute-maximum-rated conditions for extended periods may affect device reliability.

RECOMMENDED OPERATING CONDITIONS

PARAMETER	MIN	NOM	MAX	UNIT
Supply Voltage, AV _{DD} to AGND	4.75	5	5.25	V
Supply Voltage, BV _{DD} to BGND	Low-Voltage Levels		3.6	V
	5V Logic Levels		5.5	V
Reference Input Voltage	0.5	2.5	2.6	V
Operating Common-Mode Signal	0		AV _{DD}	V
Analog Inputs	+IN - (-IN)		±REFIN	V
External Clock(1)	16	20	24	MHz
Operating Junction Temperature Range, T _J	-40		105	°C

(1) With reduced accuracy, clock can go from 1MHz up to 32MHz; see Typical Characteristic curves.

DISSIPATION RATING TABLE

PACKAGE	T _A ≤ 25°C POWER RATING	DERATING FACTOR ABOVE T _A = 25°C(1)	T _A = 70°C POWER RATING	T _A = 85°C POWER RATING
QFN-32 (5x5)	2725mW	27.25mW/°C	1499mW	1090mW

(1) This is the inverse of the traditional junction-to-ambient thermal resistance (R_{θJA}). Thermal resistances are not production tested and are for informational purposes only.

ELECTRICAL CHARACTERISTICS

Over recommended operating free-air temperature range at -40°C to $+85^{\circ}\text{C}$, $\text{AV}_{\text{DD}} = 5\text{V}$, $\text{BV}_{\text{DD}} = 3\text{V}$, $\text{CH x+} = 0.5\text{V}$ to 4.5V , $\text{CH x-} = 2.5\text{V}$, $\text{REFIN} = \text{REFOUT} = \text{internal } +2.5\text{V}$, $\text{CLKIN} = 20\text{MHz}$, and 16-bit Sinc³ filter with decimation by 256, unless otherwise noted.

PARAMETER	TEST CONDITIONS	ADS1204I			UNITS	
		MIN	TYP(1)	MAX		
Resolution		16			Bits	
DC Accuracy						
INL	Integral linearity error(2)		± 1	± 3	LSB	
			± 0.001	± 0.005	% FSR	
	Integral linearity match			6	LSB	
				0.009	% FSR	
DNL	Differential nonlinearity(3)			± 1	LSB	
V _{OS}	Input offset error		-1.4	± 3	mV	
	Input offset error match			2	mV	
TCV _{OS}	Input offset error drift		2	8	$\mu\text{V}/^{\circ}\text{C}$	
G _E RR	Gain error(4)	Referenced to V _{REF}	0.08	± 0.5	% FSR	
	Gain error match		0.185	0.5	% FSR	
TCG _E RR	Gain error drift		2		ppm/ $^{\circ}\text{C}$	
PSRR	Power-supply rejection ratio	$4.75\text{V} < \text{AV}_{\text{DD}} < 5.25\text{V}$	78		dB	
Analog Input						
FSR	Full-scale differential range	(CH x+) – (CH x-); CH x- = 2.5V		± 2.5	V	
	Specified differential range	(CH x+) – (CH x-); CH x- = 2.5V		± 2	V	
	Maximum operating input range(3)		0	AV _{DD}	V	
	Input capacitance	Common-mode	3		pF	
	Input leakage current	CLK turned off		± 1	nA	
	Differential input resistance		100		k Ω	
	Differential input capacitance		2.5		pF	
CMRR	Common-mode rejection ratio	At DC	100		dB	
		V _{IN} = $\pm 1.25\text{V}_{\text{PP}}$ at 40kHz	110		dB	
BW	Bandwidth	FS sine wave, -3dB	50		MHz	
Sampling Dynamics						
	Internal clock frequency	CLKSEL = 1	8	10	12	MHz
CLKIN	External clock frequency	CLKSEL = 0	1	20	24	MHz
AC Accuracy						
THD	Total harmonic distortion	V _{IN} = $\pm 2\text{V}_{\text{PP}}$ at 5kHz	-96	-88	dB	
SFDR	Spurious-free dynamic range	V _{IN} = $\pm 2\text{V}_{\text{PP}}$ at 5kHz	92	100	dB	
SNR	Signal-to-noise ratio	V _{IN} = $\pm 2\text{V}_{\text{PP}}$ at 5kHz	86	89	dB	
SINAD	Signal-to-noise + distortion	V _{IN} = $\pm 2\text{V}_{\text{PP}}$ at 5kHz	85	89	dB	
	Channel-to-channel isolation(3)	V _{IN} = $\pm 2\text{V}_{\text{PP}}$ at 50kHz	85		dB	
ENOB	Effective number of bits		14	14.5	Bits	

(1) All typical values are at T_A = $+25^{\circ}\text{C}$.

(2) Integral nonlinearity is defined as the maximum deviation of the line through the end points of the specified input range of the transfer curve for CH x+ = -2V to $+2\text{V}$ at 2.5V, expressed either as the number of LSBs or as a percent of measured input range (4V).

(3) Ensured by design.

(4) Maximum values, including temperature drift, are ensured over the full specified temperature range.

(5) Applicable for 5.0V nominal supply: BV_{DD} (min) = 4.5V and BV_{DD} (max) = 5.5V.

(6) Applicable for 3.0V nominal supply: BV_{DD} (min) = 2.7V and BV_{DD} (max) = 3.6V.

ELECTRICAL CHARACTERISTICS (continued)

Over recommended operating free-air temperature range at -40°C to $+85^{\circ}\text{C}$, $\text{AV}_{\text{DD}} = 5\text{V}$, $\text{BV}_{\text{DD}} = 3\text{V}$, $\text{CH}_{\text{x}+} = 0.5\text{V}$ to 4.5V , $\text{CH}_{\text{x}-} = 2.5\text{V}$, $\text{REFIN} = \text{REFOUT} = \text{internal } +2.5\text{V}$, $\text{CLKIN} = 20\text{MHz}$, and 16-bit Sinc³ filter with decimation by 256, unless otherwise noted.

PARAMETER	TEST CONDITIONS	ADS1204I			UNITS		
		MIN	TYP(1)	MAX			
Voltage Reference Output							
V_{OUT}	Reference voltage output	-40°C to $+85^{\circ}\text{C}$		2.450	2.5	2.550	V
dV_{OUT}/dT	Output voltage temperature drift			± 20			ppm/ $^{\circ}\text{C}$
	Output voltage noise	$f = 0.1\text{Hz}$ to 10Hz , $C_{\text{L}} = 10\mu\text{F}$		10			μV_{rms}
		$f = 10\text{Hz}$ to 10kHz , $C_{\text{L}} = 10\mu\text{F}$		12			μV_{rms}
PSRR	Power-supply rejection ratio			60			dB
I_{OUT}	Output current			10			μA
I_{SC}	Short-circuit current			0.5			mA
	Turn-on settling time	to 0.1% at $C_{\text{L}} = 0$		100			μs
Voltage Reference Input							
V_{IN}	Reference voltage input			0.5	2.5	2.6	V
	Reference input resistance			100			$\text{M}\Omega$
	Reference input capacitance			5			pF
	Reference input current					1	μA
Digital Inputs(5)							
	Logic family			CMOS with Schmitt Trigger			
V_{IH}	High-level input voltage			$0.7 \times \text{BV}_{\text{DD}}$	$\text{BV}_{\text{DD}} + 0.3$		V
V_{IL}	Low-level input voltage			-0.3	$0.3 \times \text{BV}_{\text{DD}}$		V
I_{IN}	Input current	$V_{\text{I}} = \text{BV}_{\text{DD}}$ or GND				± 50	nA
C_{I}	Input capacitance			5			pF
Digital Outputs(5)							
	Logic family			CMOS			
V_{OH}	High-level output voltage	$\text{BV}_{\text{DD}} = 4.5\text{V}$, $I_{\text{OH}} = -100\mu\text{A}$		4.44			V
V_{OL}	Low-level output voltage	$\text{BV}_{\text{DD}} = 4.5\text{V}$, $I_{\text{OL}} = +100\mu\text{A}$				0.5	V
C_{O}	Output capacitance			5			pF
C_{L}	Load capacitance					30	pF
	Data format			Bit Stream			

(1) All typical values are at $T_{\text{A}} = +25^{\circ}\text{C}$.

(2) Integral nonlinearity is defined as the maximum deviation of the line through the end points of the specified input range of the transfer curve for $\text{CH}_{\text{x}+} = -2\text{V}$ to $+2\text{V}$ at 2.5V , expressed either as the number of LSBs or as a percent of measured input range (4V).

(3) Ensured by design.

(4) Maximum values, including temperature drift, are ensured over the full specified temperature range.

(5) Applicable for 5.0V nominal supply: $\text{BV}_{\text{DD}}(\text{min}) = 4.5\text{V}$ and $\text{BV}_{\text{DD}}(\text{max}) = 5.5\text{V}$.

(6) Applicable for 3.0V nominal supply: $\text{BV}_{\text{DD}}(\text{min}) = 2.7\text{V}$ and $\text{BV}_{\text{DD}}(\text{max}) = 3.6\text{V}$.

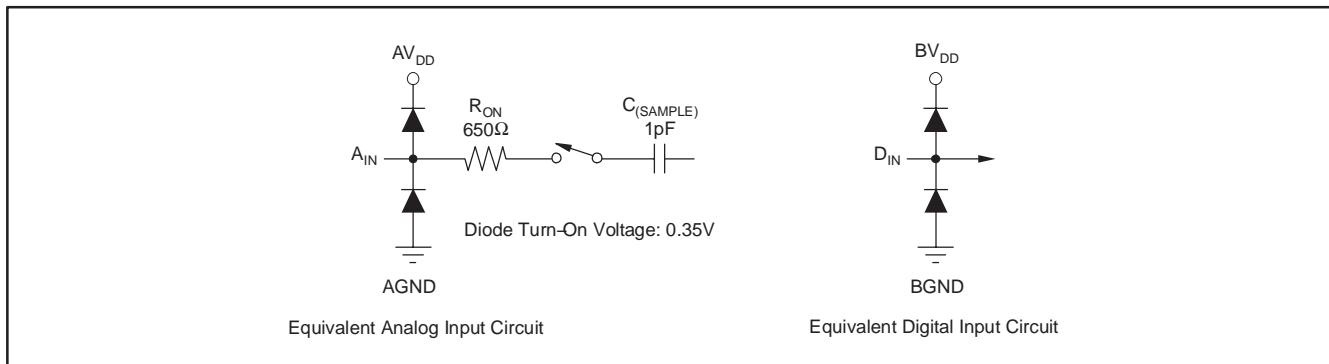
ELECTRICAL CHARACTERISTICS (continued)

Over recommended operating free-air temperature range at -40°C to $+85^{\circ}\text{C}$, $\text{AV}_{\text{DD}} = 5\text{V}$, $\text{BV}_{\text{DD}} = 3\text{V}$, $\text{CH x+} = 0.5\text{V}$ to 4.5V , $\text{CH x-} = 2.5\text{V}$, $\text{REFIN} = \text{REFOUT} = \text{internal } +2.5\text{V}$, $\text{CLKIN} = 20\text{MHz}$, and 16-bit Sinc³ filter with decimation by 256, unless otherwise noted.

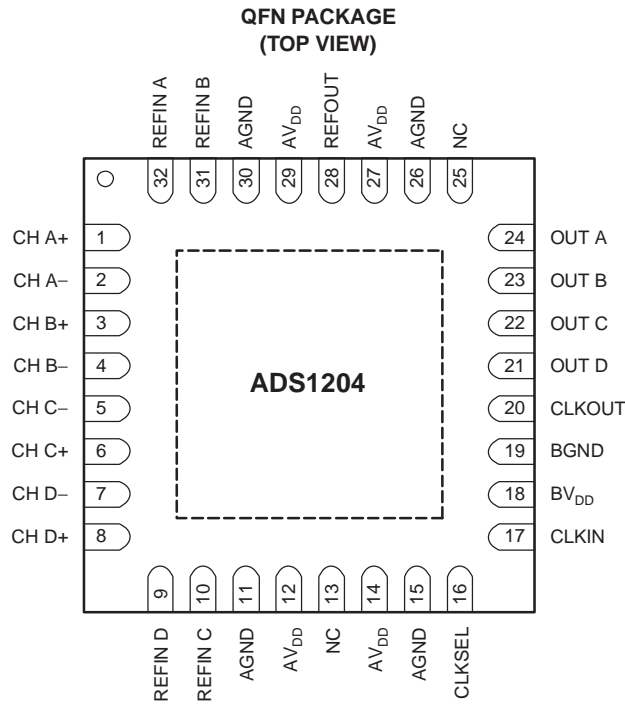
PARAMETER	TEST CONDITIONS	ADS1204I			UNITS
		MIN	TYP(1)	MAX	
Digital Inputs(6)					
	Logic family	LVCMOS			
V_{IH}	High-level input Voltage	$\text{BV}_{\text{DD}} = 3.6\text{V}$	2	$\text{BV}_{\text{DD}}+0.3$	V
V_{IL}	Low-level input voltage	$\text{BV}_{\text{DD}} = 2.7\text{V}$	-0.3	0.8	V
I_{IN}	Input current	$V_{\text{I}} = \text{BV}_{\text{DD}}$ or GND		± 50	nA
C_{I}	Input capacitance		5		pF
Digital Outputs(6)					
	Logic family	LVCMOS			
V_{OH}	High-level output voltage	$\text{BV}_{\text{DD}} = 2.7\text{V}$, $I_{\text{OH}} = -100\mu\text{A}$	$\text{BV}_{\text{DD}}-0.2$		V
V_{OL}	Low-level output voltage	$\text{BV}_{\text{DD}} = 2.7\text{V}$, $I_{\text{OL}} = +100\mu\text{A}$	0.2		V
C_{O}	Output capacitance		5		pF
C_{L}	Load capacitance			30	pF
	Data format	Bit Stream			
Power Supply					
AV_{DD}	Analog supply voltage		4.5	5.5	V
BV_{DD}	Buffer I/O supply voltage	Low-voltage levels	2.7	3.6	V
		5V logic levels	4.5	5.5	V
AI_{DD}	Analog operating supply current	$\text{CLKSEL} = 1$	22.5	30	mA
		$\text{CLKSEL} = 0$	22.4	29	mA
BI_{DD}	Buffer I/O operating supply current	$\text{BV}_{\text{DD}} = 3\text{V}$, $\text{CLKOUT} = 10\text{MHz}$		4	mA
		$\text{BV}_{\text{DD}} = 5\text{V}$, $\text{CLKOUT} = 10\text{MHz}$		4	mA
Power dissipation		$\text{CLKSEL} = 0$	122	145	mW
		$\text{CLKSEL} = 1$	112.5	150	mW

- (1) All typical values are at $T_{\text{A}} = +25^{\circ}\text{C}$.
- (2) Integral nonlinearity is defined as the maximum deviation of the line through the end points of the specified input range of the transfer curve for $\text{CH x+} = -2\text{V}$ to $+2\text{V}$ at 2.5V , expressed either as the number of LSBs or as a percent of measured input range (4V).
- (3) Ensured by design.
- (4) Maximum values, including temperature drift, are ensured over the full specified temperature range.
- (5) Applicable for 5.0V nominal supply: BV_{DD} (min) = 4.5V and BV_{DD} (max) = 5.5V.
- (6) Applicable for 3.0V nominal supply: BV_{DD} (min) = 2.7V and BV_{DD} (max) = 3.6V.

EQUIVALENT INPUT CIRCUIT



PIN ASSIGNMENTS



Terminal Functions

TERMINAL NAME	NO.	I/O	DESCRIPTION
CH A+	1	AI	Analog input of channel A: noninverting input
CH A-	2	AI	Analog input of channel A: inverting input
CH B+	3	AI	Analog input of channel B: noninverting input
CH B-	4	AI	Analog input of channel B: inverting input
CH C-	5	AI	Analog input of channel C: inverting input
CH C+	6	AI	Analog input of channel C: noninverting input
CH D-	7	AI	Analog input of channel D: inverting input
CH D+	8	AI	Analog input of channel D: noninverting input
REFIN D	9	AI	Reference voltage input of channel D: pin for external reference voltage
REFIN C	10	AI	Reference voltage input of channel C: pin for external reference voltage
AGND	11		Analog ground
AVDD	12	P	Analog power supply; nominal 5V
NC	13		No connection; this pin is left unconnected
AVDD	14	P	Analog power supply; nominal 5V
AGND	15		Analog ground
CLKSEL	16	I	Clock select between internal clock (CLKSEL = 1) or external clock (CLKSEL = 0)

TERMINAL NAME	NO.	I/O	DESCRIPTION
CLKIN	17	I	External clock input
BVDD	18	P	Digital interface power supply; from 2.7V to 5.5V
BGND	19		Interface ground
CLKOUT	20	O	System clock output
OUT D	21	O	Bit stream from channel D modulator
OUT C	22	O	Bit stream from channel C modulator
OUT B	23	O	Bit stream from channel B modulator
OUT A	24	O	Bit stream from channel A modulator
NC	25		No connection; this pin is left unconnected
AGND	26		Analog ground
AVDD	27	P	Analog power supply; nominal 5V
REFOUT	28	AO	Reference voltage output: output pin of the internal reference source; nominal 2.5V
AVDD	29	P	Analog power supply; nominal 5V
AGND	30		Analog ground
REFIN B	31	AI	Reference voltage input of channel B: pin for external reference voltage
REFIN A	32	AI	Reference voltage input of channel A: pin for external reference voltage

NOTE: AI = Analog Input; AO = Analog Output; I = Input; O = Output; P = Power Supply.

PARAMETER MEASUREMENT INFORMATION

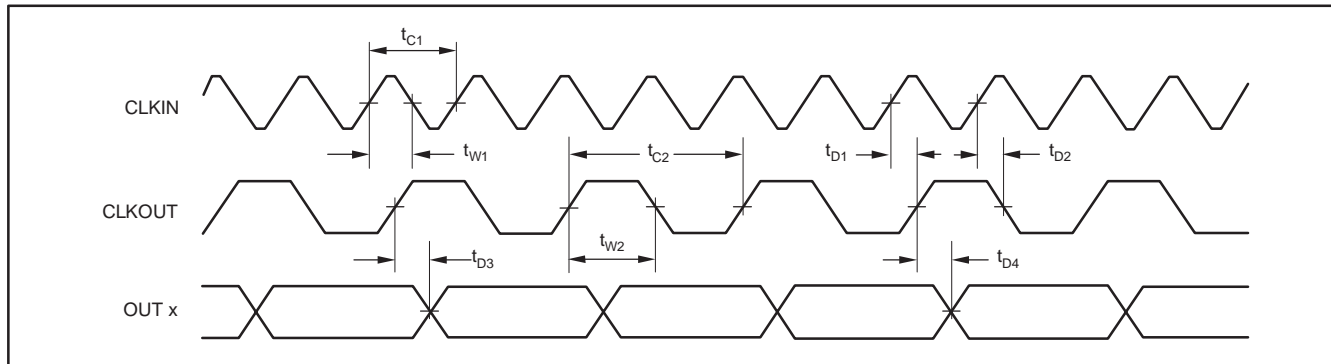


Figure 1. ADS1204 Timing Diagram

TIMING REQUIREMENTS: 5.0V

over recommended operating free-air temperature range at -40°C to $+85^{\circ}\text{C}$, $\text{AV}_{\text{DD}} = 5\text{V}$, and $\text{BV}_{\text{DD}} = 5\text{V}$, unless otherwise noted.

PARAMETER		MIN	MAX	UNIT
t_{C1}	CLKIN period	41.6	1000	ns
t_{W1}	CLKIN high time	10	$t_{C1} - 10$	ns
t_{C2}	CLKOUT period using internal oscillator (CLKSEL = 1)	83	125	ns
	CLKOUT period using external clock (CLKSEL = 0)	$2 \times t_{C1}$		ns
t_{W2}	CLKOUT high time	$(t_{C2}/2) - 5$	$(t_{C2}/2) + 5$	ns
t_{D1}	CLKOUT rising edge delay after CLKIN rising edge	0	10	ns
t_{D2}	CLKOUT falling edge delay after CLKIN rising edge	0	10	ns
t_{D3}	Data valid delay after rising edge of CLKOUT (CLKSEL = 1)	$(t_{C2}/4) - 8$	$(t_{C2}/4) + 8$	ns
t_{D4}	Data valid delay after rising edge of CLKOUT (CLKSEL = 0)	$t_{W1} - 3$	$t_{W1} + 7$	ns

NOTE: Applicable for 5.0V nominal supply: $\text{BV}_{\text{DD}}(\text{min}) = 4.5\text{V}$ and $\text{BV}_{\text{DD}}(\text{max}) = 5.5\text{V}$. All input signals are specified with $t_{\text{R}} = t_{\text{F}} = 5\text{ns}$ (10% to 90% of BV_{DD}) and timed from a voltage level of $(V_{\text{IL}} + V_{\text{IH}})/2$. See timing diagram.

TIMING REQUIREMENTS: 3.0V

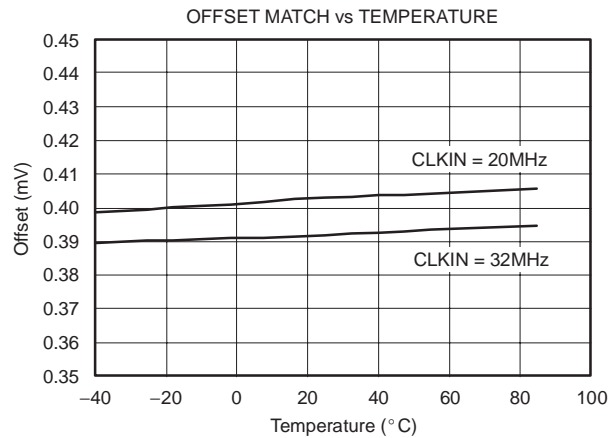
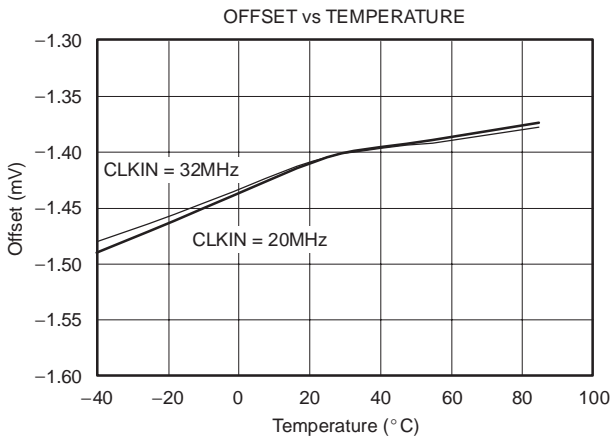
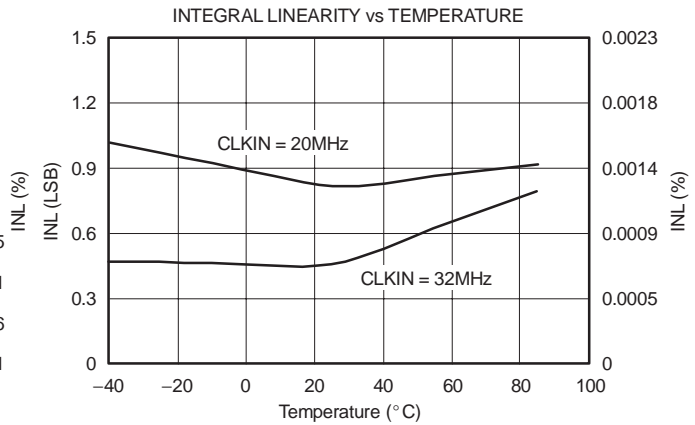
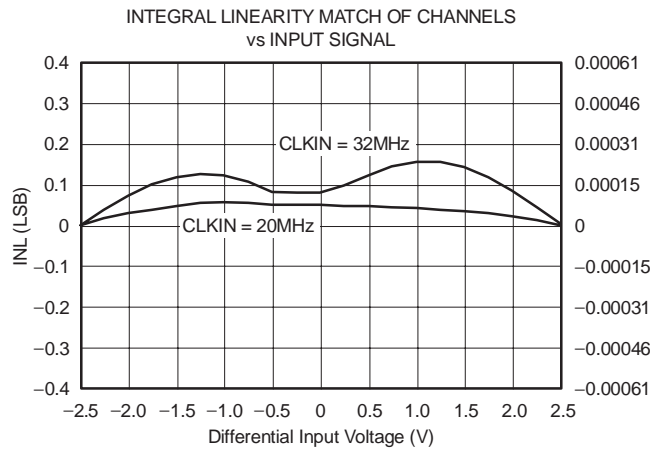
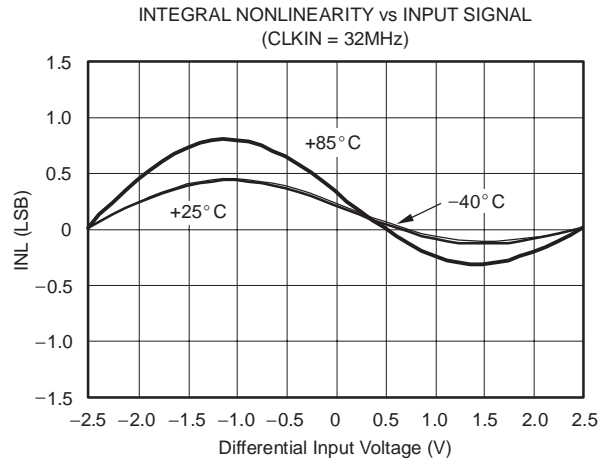
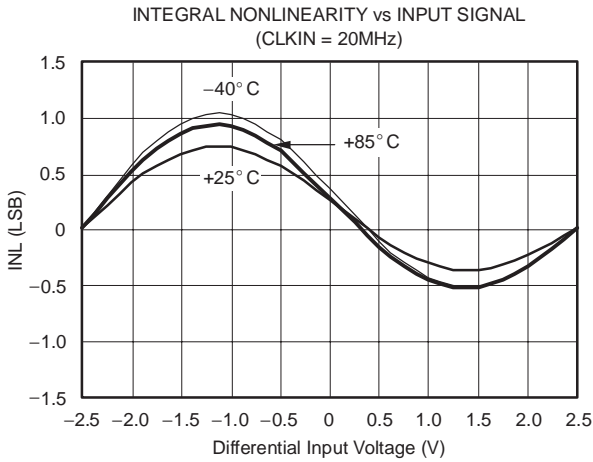
over recommended operating free-air temperature range at -40°C to $+85^{\circ}\text{C}$, $\text{AV}_{\text{DD}} = 5\text{V}$, and $\text{BV}_{\text{DD}} = 3\text{V}$, unless otherwise noted.

PARAMETER		MIN	MAX	UNIT
t_{C1}	CLKIN period	41.6	1000	ns
t_{W1}	CLKIN high time	10	$t_{C1} - 10$	ns
t_{C2}	CLKOUT period using internal oscillator (CLKSEL = 1)	83	125	ns
	CLKOUT period using external clock (CLKSEL = 0)	$2 \times t_{C1}$		ns
t_{W2}	CLKOUT high time	$(t_{C2}/2) - 5$	$(t_{C2}/2) + 5$	ns
t_{D1}	CLKOUT rising edge delay after CLKIN rising edge	0	10	ns
t_{D2}	CLKOUT falling edge delay after CLKIN rising edge	0	10	ns
t_{D3}	Data valid delay after rising edge of CLKOUT (CLKSEL = 1)	$(t_{C2}/4) - 8$	$(t_{C2}/4) + 8$	ns
t_{D4}	Data valid delay after rising edge of CLKOUT (CLKSEL = 0)	$t_{W1} - 3$	$t_{W1} + 7$	ns

NOTE: Applicable for 3.0V nominal supply: $\text{BV}_{\text{DD}}(\text{min}) = 2.7\text{V}$ and $\text{BV}_{\text{DD}}(\text{max}) = 3.6\text{V}$. All input signals are specified with $t_{\text{R}} = t_{\text{F}} = 5\text{ns}$ (10% to 90% of BV_{DD}) and timed from a voltage level of $(V_{\text{IL}} + V_{\text{IH}})/2$. See timing diagram.

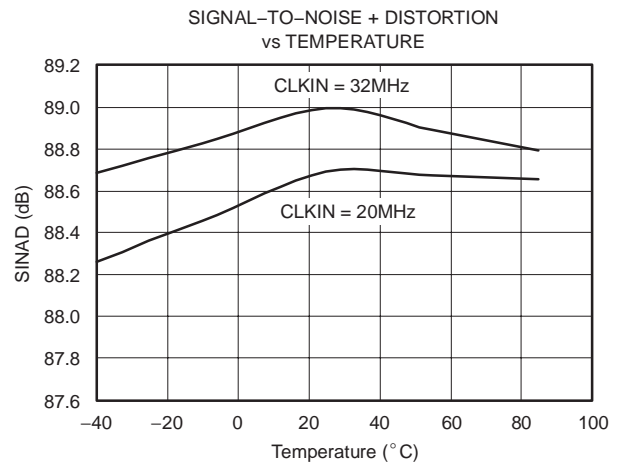
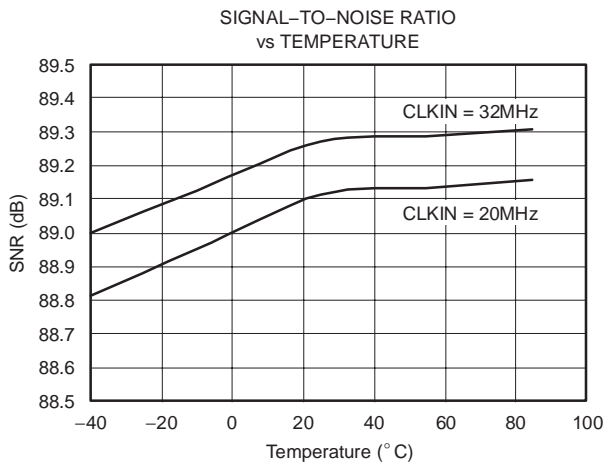
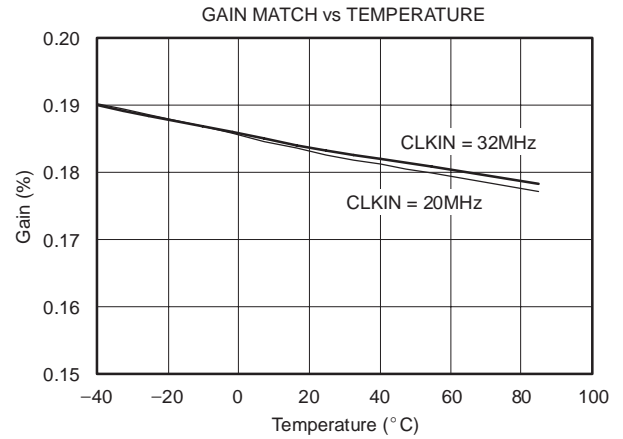
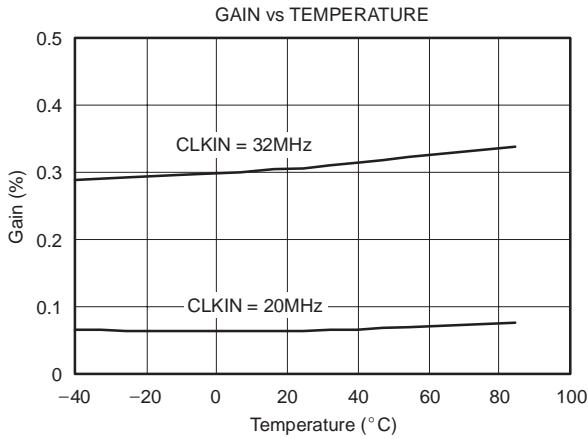
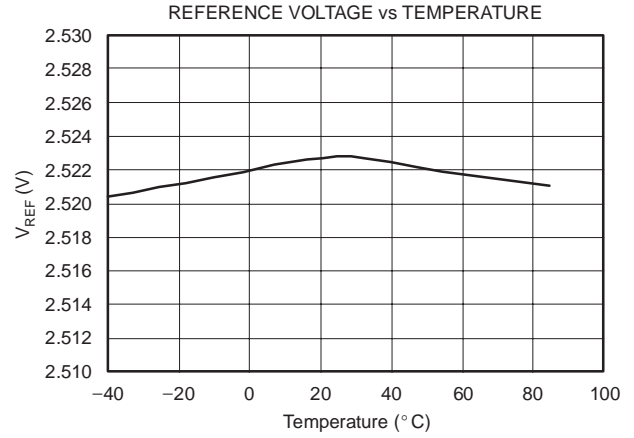
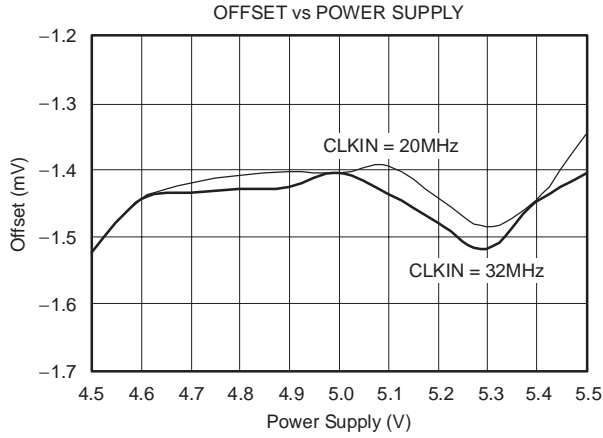
TYPICAL CHARACTERISTICS

$V_{DD} = 5V$, $BV_{DD} = 3V$, CH x+ = +0.5V to +4.5V, CH x- = +2.5V, REFIN = external, CLKSEL = 0, and 16-bit Sinc³ filter, with OSR = 256, unless otherwise noted.



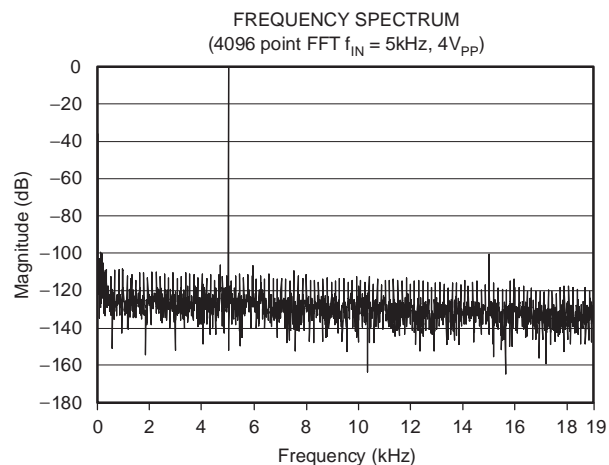
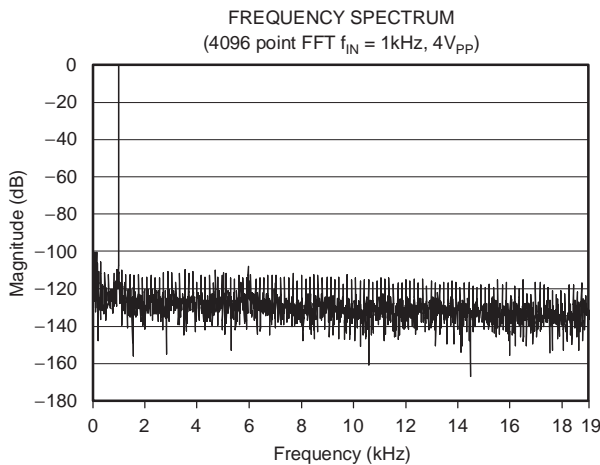
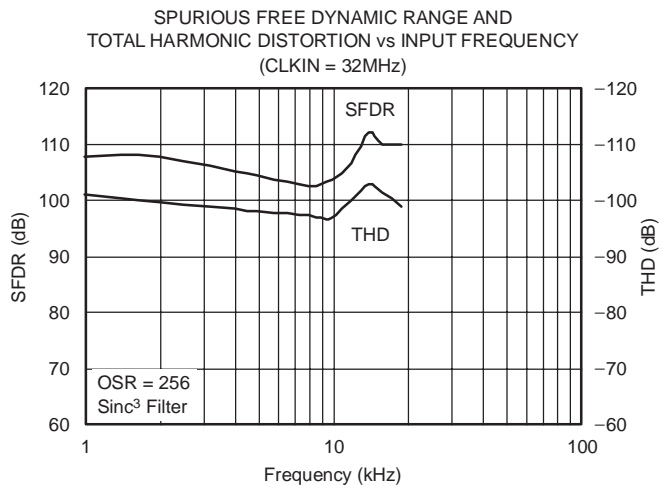
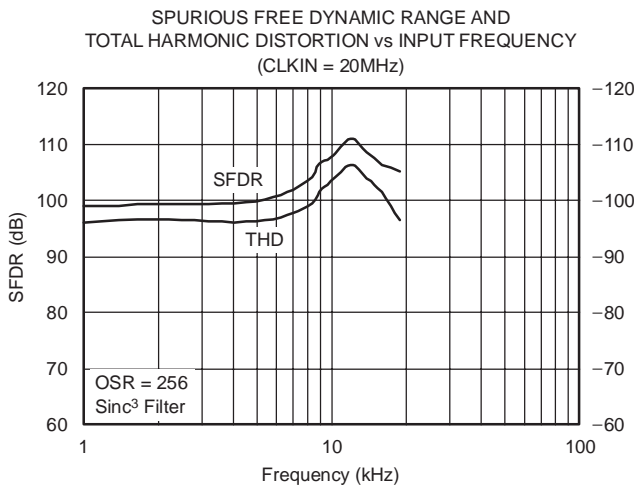
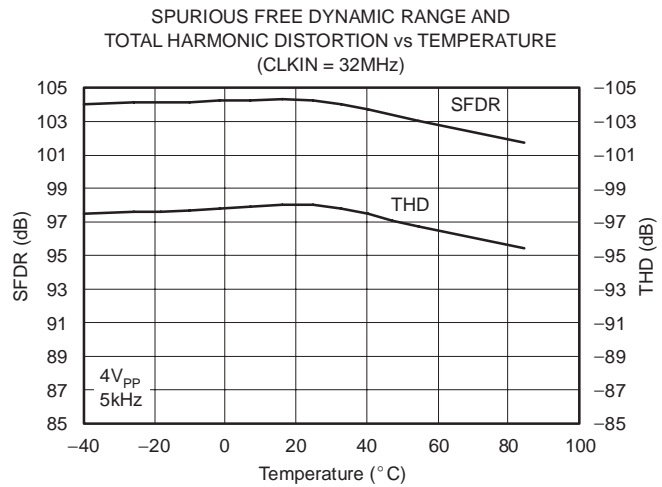
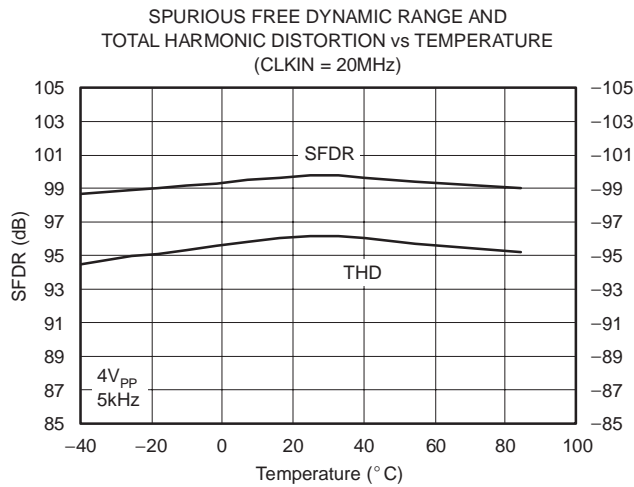
TYPICAL CHARACTERISTICS (continued)

AV_{DD} = 5V, BV_{DD} = 3V, CH x+ = +0.5V to +4.5V, CH x- = +2.5V, REFIN = external, CLKSEL = 0, and 16-bit Sinc³ filter, with OSR = 256, unless otherwise noted.



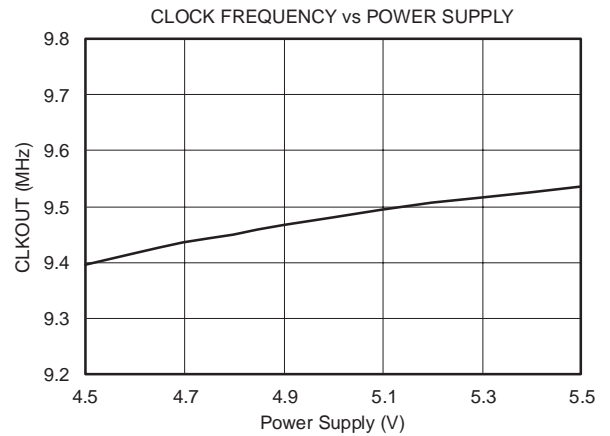
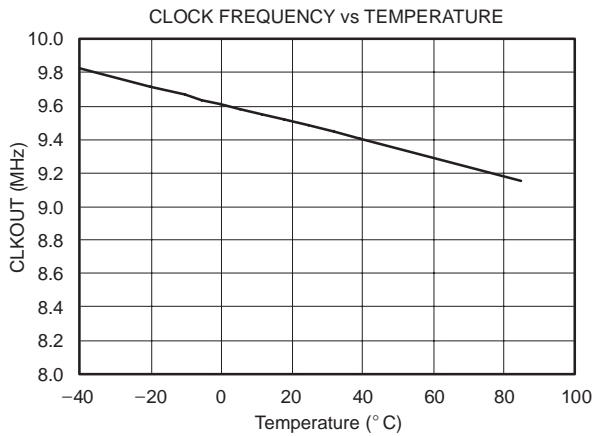
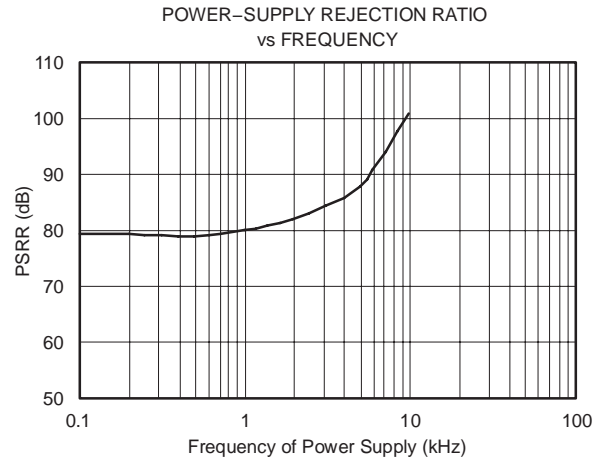
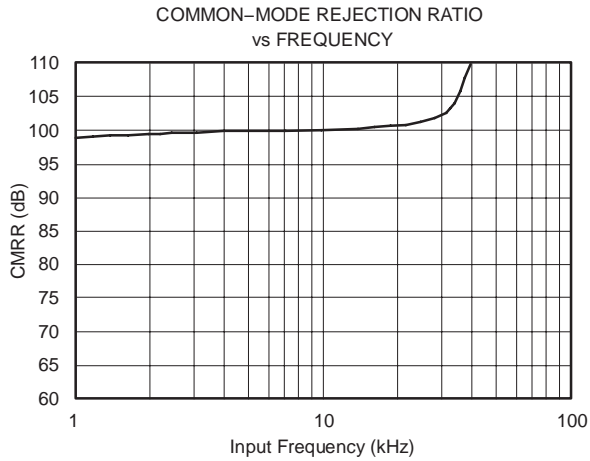
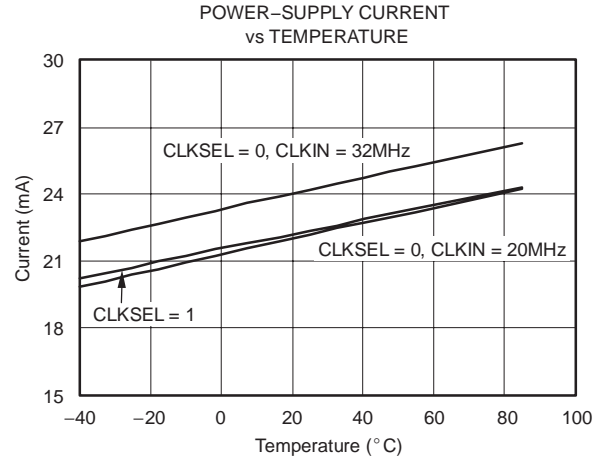
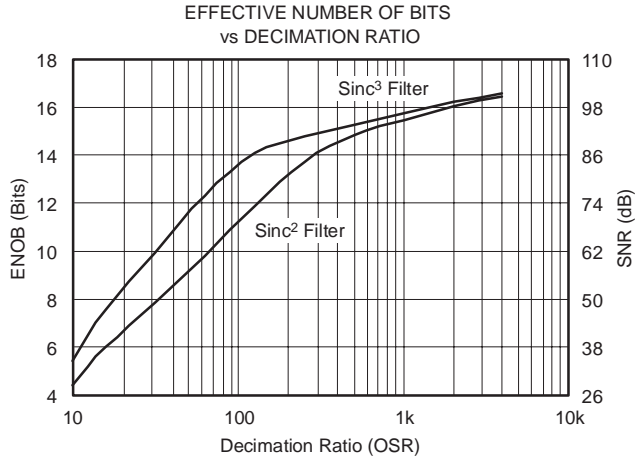
TYPICAL CHARACTERISTICS (continued)

$V_{DD} = 5V$, $BV_{DD} = 3V$, CH x+ = +0.5V to +4.5V, CH x- = +2.5V, REFIN = external, CLKSEL = 0, and 16-bit Sinc³ filter, with OSR = 256, unless otherwise noted.



TYPICAL CHARACTERISTICS (continued)

AV_{DD} = 5V, BV_{DD} = 3V, CH x+ = +0.5V to +4.5V, CH x- = +2.5V, REFIN = external, CLKSEL = 0, and 16-bit Sinc³ filter, with OSR = 256, unless otherwise noted.



GENERAL DESCRIPTION

The ADS1204 is a four-channel, 2nd-order, CMOS device with four delta-sigma modulators, designed for medium- to high-resolution A/D signal conversions from DC to 39kHz (filter response -3dB) if an oversampling ratio (OSR) of 64 is chosen. The output of the converter (OUT_X) provides a stream of digital ones and zeros. The time average of this serial output is proportional to the analog input voltage.

The modulator shifts the quantization noise to high frequencies. A low-pass digital filter should be used at the output of the delta-sigma modulator. The filter serves two functions. First, it filters out high-frequency noise. Second, the filter converts the 1-bit data stream at a high sampling rate into a higher-bit data word at a lower rate (decimation).

An application-specific integrated circuit (ASIC), or field-programmable gate array (FPGA) could be used to implement the digital filter. Figure 2 and Figure 3 show typical application circuits with the ADS1204 connected to an FPGA.

The overall performance (that is, speed and accuracy) depends on the selection of an appropriate OSR and filter type. A higher OSR produces greater output accuracy while operating at a lower refresh rate. Alternatively, a lower OSR produces lower output accuracy, but operates at a higher refresh rate. This system allows flexibility with the digital filter design and is capable of A/D conversion results that have a dynamic range exceeding 100dB with an OSR = 256.

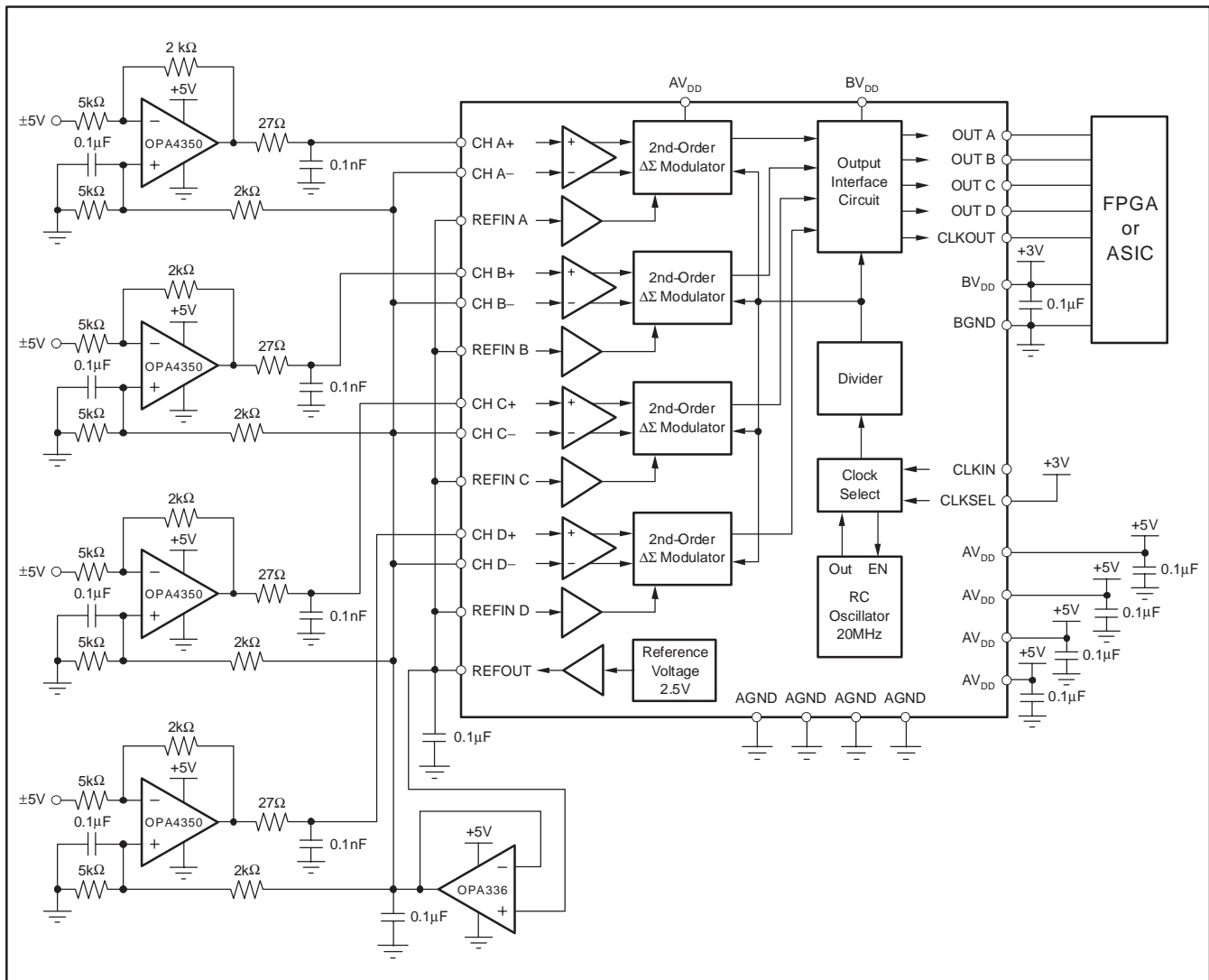


Figure 2. Single-Ended Connection Diagram for the ADS1204 Delta-Sigma Modulator

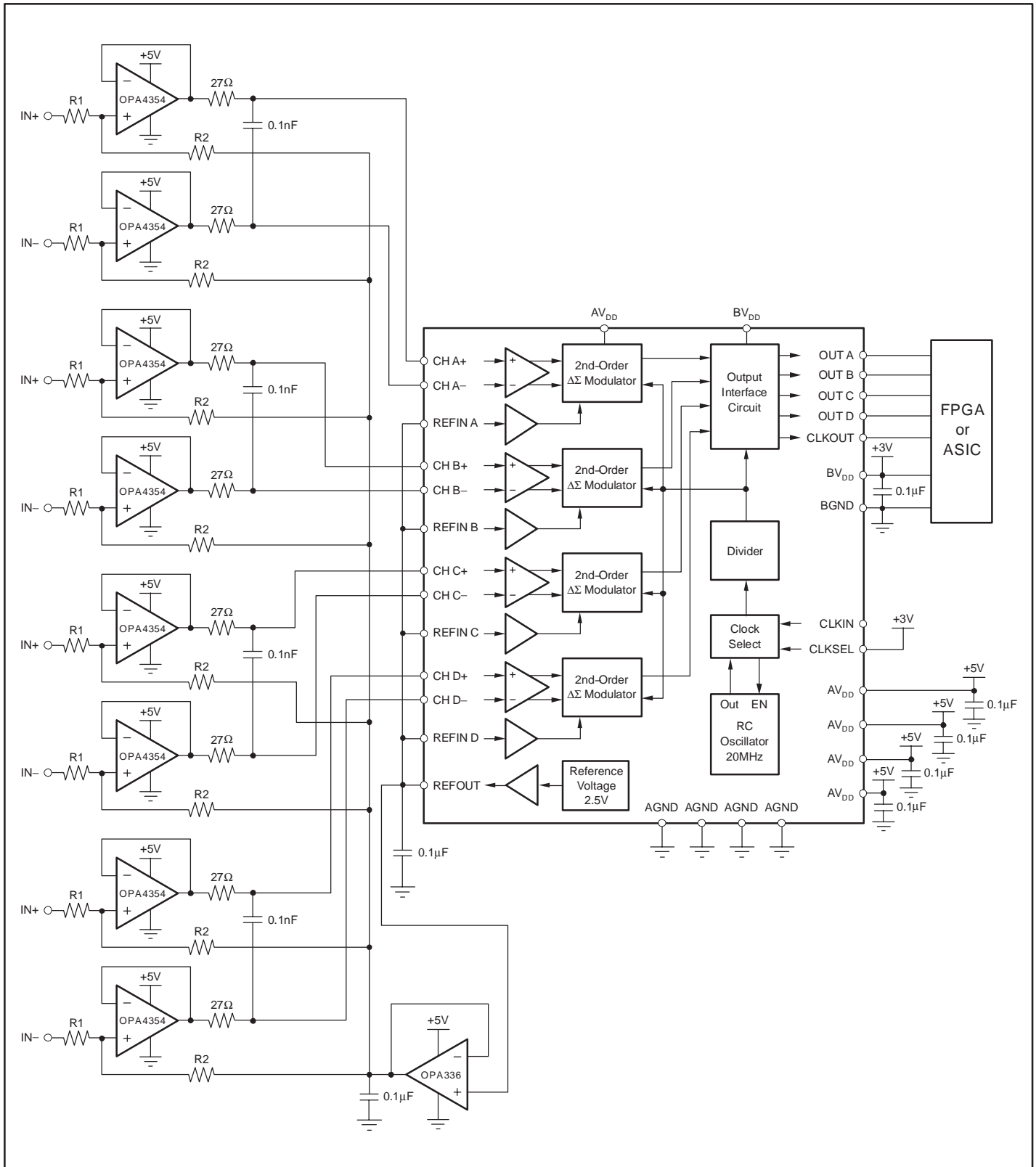


Figure 3. Differential Connection Diagram for the ADS1204 Delta-Sigma Modulator

THEORY OF OPERATION

The differential analog input of the ADS1204 is implemented with a switched-capacitor circuit. This circuit implements a 2nd-order modulator stage, which digitizes the analog input signal into a 1-bit output stream. The clock source can be internal as well as external. Different frequencies for this clock allow for a variety of solutions and signal bandwidths. Every analog input signal is continuously sampled by the modulator and compared to a reference voltage that is applied to the REFINx pin. A digital stream, which accurately represents the analog input voltage over time, appears at the output of the corresponding converter.

ANALOG INPUT STAGE

Analog Input

The topology of the analog inputs of ADS1204 is based on fully differential switched-capacitor architecture. This input stage provides the mechanism to achieve low system noise, high common-mode rejection (100dB), and excellent power-supply rejection.

The input impedance of the analog input is dependent on the modulator clock frequency (f_{CLK}), which is also the sampling frequency of the modulator. Figure 4 shows the basic input structure of one channel of the ADS1204. The relationship between the input impedance of the ADS1204 and the modulator clock frequency is:

$$Z_{IN} = \frac{100k\Omega}{f_{MOD}/10MHz} \quad (1)$$

The input impedance becomes a consideration in designs where the source impedance of the input signal is high. This high impedance may cause degradation in gain, linearity, and THD. The importance of this effect depends

on the desired system performance. There are two restrictions on the analog input signals, CH x+ and CH x-. If the input voltage exceeds the range ($GND - 0.3V$) to ($V_{DD} + 0.3V$), the input current must be limited to 10mA because the input protection diodes on the front end of the converter will begin to turn on. In addition, the linearity and the noise performance of the device is ensured only when the differential analog voltage resides within $\pm 2V$ (with V_{REF} as a midpoint); however, the FSR input voltage is $\pm 2.5V$.

Modulator

The ADS1204 can be operated in two modes. When $CKLSEL = 1$, the four modulators operate using the internal clock, which is fixed at 20MHz. When $CKLSEL = 0$, the modulators operate using an external clock. In both modes, the clock is divided by two internally and functions as the modulator clock. The frequency of the external clock can vary from 1MHz to 32MHz to adjust for the clock requirements of the application.

The modulator topology is fundamentally a 2nd-order, switched-capacitor, delta-sigma modulator, such as the one conceptualized in Figure 5. The analog input voltage and the output of the 1-bit digital-to-analog converter (DAC) are differentiated, providing analog voltages at X2 and X3. The voltages at X2 and X3 are presented to their individual integrators. The output of these integrators progresses in a negative or positive direction. When the value of the signal at X4 equals the comparator reference voltage, the output of the comparator switches from negative to positive, or positive to negative, depending on its original state. When the output value of the comparator switches from high to low or vice versa, the 1-bit DAC responds on the next clock pulse by changing its analog output voltage at X6, causing the integrators to progress in the opposite direction. The feedback of the modulator to the front end of the integrators forces the value of the integrator output to track the average of the input.

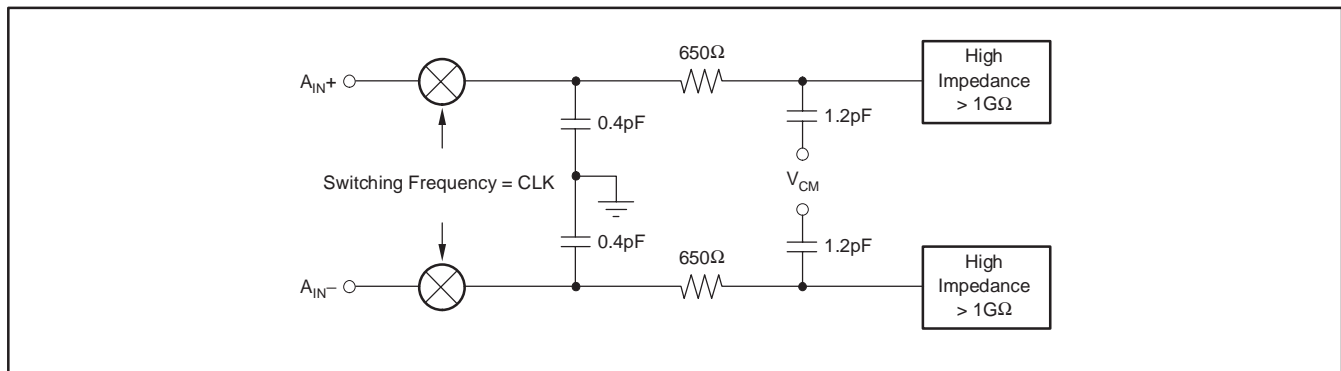


Figure 4. Input Impedance of the ADS1204

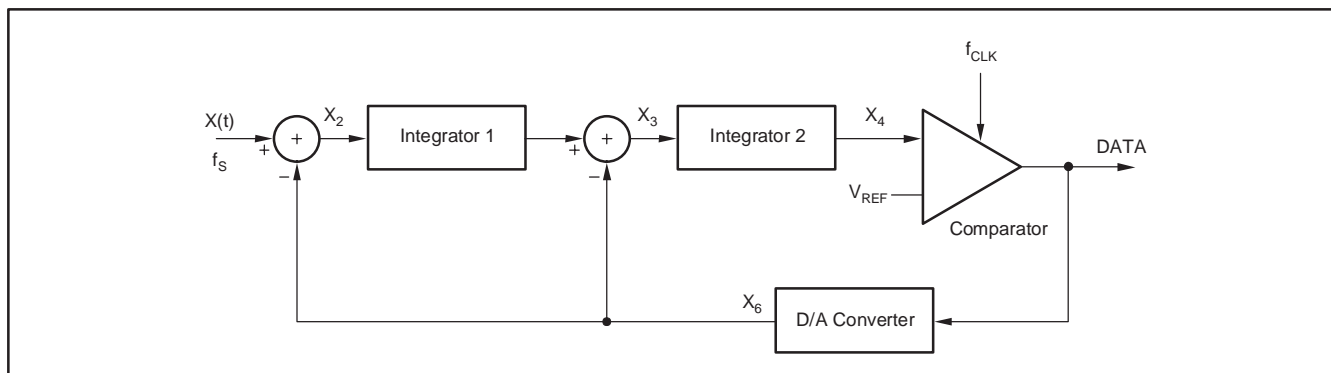


Figure 5. Block Diagram of the 2nd-Order Modulator

DIGITAL OUTPUT

A differential input signal of 0V will ideally produce a stream of ones and zeros that are high 50% of the time and low 50% of the time. A differential input of +2V produces a stream of ones and zeros that are high 80% of the time. A differential input of -2V produces a stream of ones and zeros that are high 20% of the time. The input voltage versus the output modulator signal is shown in Figure 6.

DIGITAL INTERFACE

INTRODUCTION

The analog signal connected to the input of the delta-sigma modulator is converted using the clock signal applied to the modulator. The result of the conversion, or modulation, is generated and sent to the OUTx pin from the delta-sigma modulator. In most applications where a direct

connection is realized between the delta-sigma modulator and an ASIC or FPGA (each with an implemented filter), the two standard signals per modulator (CLKOUT and OUTx) are provided from the modulator. The output clock signal is equal for all four modulators. If CLKSEL = 1, CLKIN must always be set either high or low.

MODES OF OPERATION

The system clock of the ADS1204 is 20MHz by default. The system clock can be provided either from the internal 20MHz RC oscillator or from an external clock source. For this purpose, the CLKIN pin is provided; it is controlled by the mode setting, CLKSEL.

The system clock is divided by two for the modulator clock. Therefore, the default clock frequency of the modulator is 10MHz. With a possible external clock range of 1MHz to 32MHz, the modulator operates between 500kHz and 16MHz.

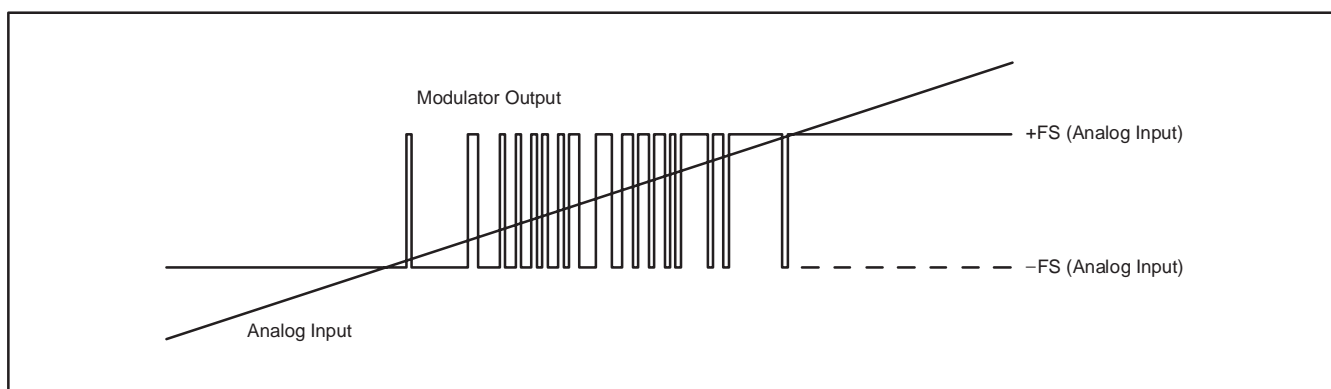


Figure 6. Analog Input vs Modulator Output of the ADS1204

FILTER USAGE

The modulator generates only a bitstream, which does not output a digital word like an A/D converter. In order to output a digital word equivalent to the analog input voltage, the bitstream must be processed by a digital filter.

A very simple filter, built with minimal effort and hardware, is the Sinc³ filter:

$$H(z) = \left(\frac{1 - z^{-OSR}}{1 - z^{-1}} \right)^3 \tag{2}$$

This filter provides the best output performance at the lowest hardware size (for example, a count of digital gates). For oversampling ratios in the range of 16 to 256, this is a good choice. All the characterizations in the data sheet are also done using a Sinc³ filter with an oversampling ratio of OSR = 256 and an output word width of 16 bits.

In a Sinc³ filter response (shown in Figure 7 and Figure 8), the location of the first notch occurs at the frequency of output data rate $f_{DATA} = f_{CLK}/OSR$. The -3dB point is located at half the Nyquist frequency or $f_{DATA}/4$. For some applications, it may be necessary to use another filter type for better frequency response.

This performance can be improved, for example, by a cascaded filter structure. The first decimation stage can be a Sinc³ filter with a low OSR and the second stage a high-order filter.

For more information, see application note SBAA094, *Combining the ADS1202 with an FPGA Digital Filter for Current Measurement in Motor Control Applications*, available for download at www.ti.com.

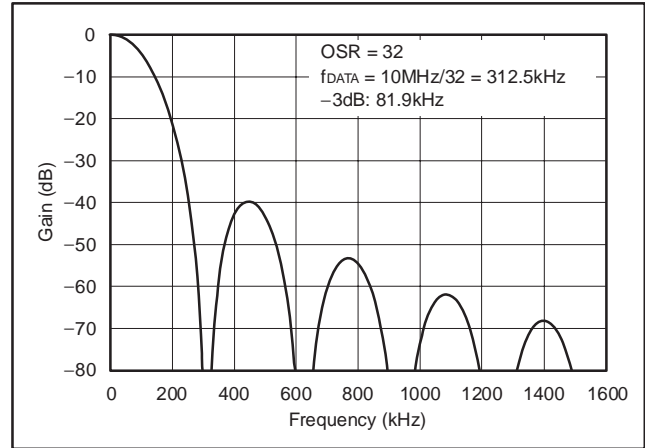


Figure 7. Frequency Response of Sinc³ Filter

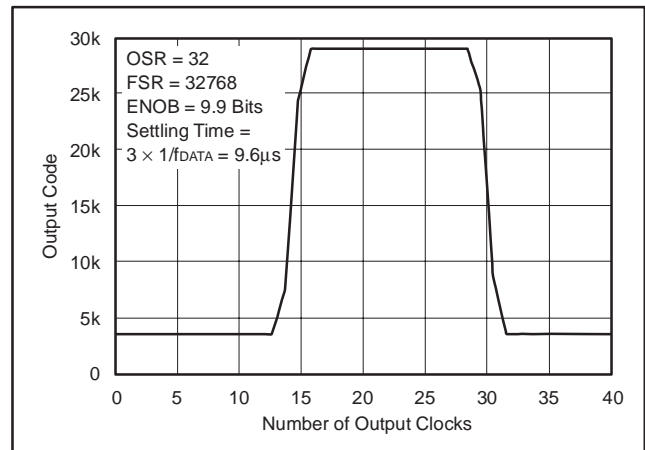


Figure 8. Pulse Response of Sinc³ Filter (f_{MOD} = 10MHz)

The effective number of bits (ENOB) can be used to compare the performance of ADCs and delta-sigma modulators. Figure 9 shows the ENOB of the ADS1204 with different filter types. In this data sheet, the ENOB is calculated from the SNR:

$$\text{SNR} = 1.76\text{dB} + 6.02\text{dB} \times \text{ENOB} \quad (3)$$

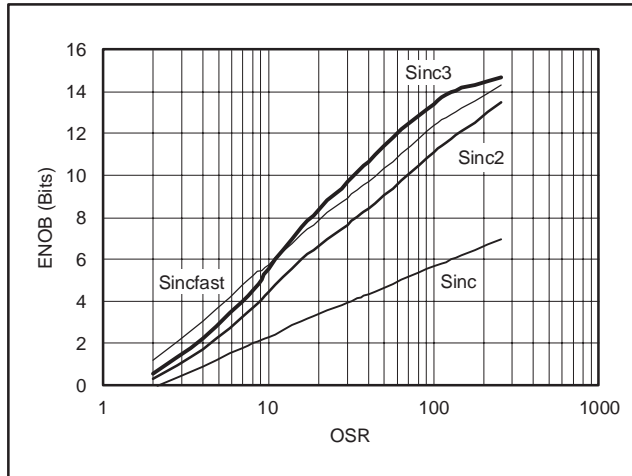


Figure 9. Measured ENOB vs OSR

In motor control applications, a very fast response time for overcurrent detection is required. There is a constraint between 1 μ s and 5 μ s with 3 bits to 7 bits resolution. The time for full settling is dependent on the filter order. Therefore, the full settling of the Sinc³ filter needs three data clocks and the Sinc² filter needs two

data clocks. The data clock is equal to the modulator clock divided by the OSR. For overcurrent protection, filter types other than Sinc³ might be a better choice. A simple example is a Sinc² filter. Figure 10 compares the settling time of different filter types. The Sincfast is a modified Sinc² filter:

$$H(z) = \left(\frac{1 - z^{-\text{OSR}}}{1 - z^{-1}} \right)^2 (1 + z^{-2 \times \text{OSR}}) \quad (4)$$

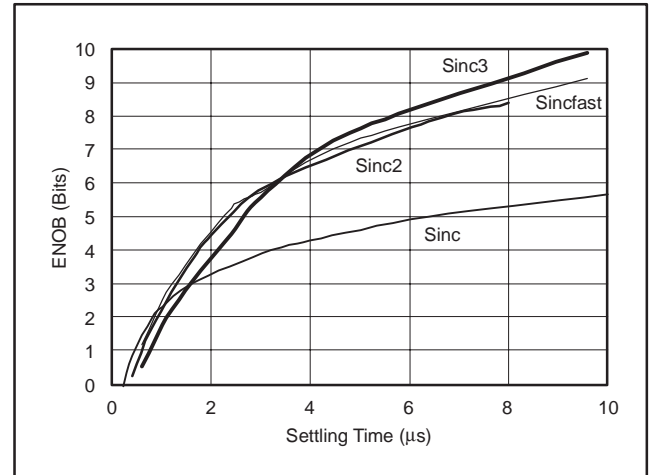


Figure 10. Measured ENOB vs Settling Time

For more information, see application note SBAA094, *Combining the ADS1202 with an FPGA Digital Filter for Current Measurement in Motor Control Applications*, available for download at www.ti.com.

LAYOUT CONSIDERATIONS

POWER SUPPLIES

An applied external digital filter rejects high-frequency noise. PSRR and CMRR improve at higher frequencies because the digital filter suppresses high-frequency noise.

However, the suppression of the filter is not infinite, so high-frequency noise still influences the conversion result. Inputs to the ADS1204, such as CH x+, CH x–, and CLKIN, should not be present before the power supply is on. Violating this condition could cause latch-up. If these signals are present before the supply is on, series resistors should be used to limit the input current to a maximum of 10mA. Experimentation may be the best way to determine the appropriate connection between the ADS1204 and different power supplies.

GROUNDING

Analog and digital sections of the design must be carefully and cleanly partitioned. Each section should have its own ground plane with no overlap between them. Do not join the ground planes; instead, connect the two with a moderate signal trace underneath the converter. However, for different applications with DSPs and switching power supplies, this process might be different.

For multiple converters, connect the two ground planes as close as possible to one central location for all of the converters. In some cases, experimentation may be required to find the best point to connect the two planes together.

DECOUPLING

Good decoupling practices must be used for the ADS1204 and for all components in the design. All decoupling capacitors, specifically the 0.1 μ F ceramic capacitors, must be placed as close as possible to the pin being decoupled. A 1 μ F and 10 μ F capacitor, in parallel with the 0.1 μ F ceramic capacitor, can be used to decouple AV_{DD} to AGND as well as BV_{DD} to BGND. At least one 0.1 μ F ceramic capacitor must be used to decouple every AV_{DD} to AGND and BV_{DD} to BGND, as well as for the digital supply on each digital component.

The digital supply sets the I/O voltage for the interface and can be set within a range of 2.7V to 5.5V.

In cases where both the analog and digital I/O supplies share the same supply source, an RC filter of 10 Ω and 0.1 μ F can be used to help reduce the noise in the analog supply.

PACKAGING INFORMATION

ORDERABLE DEVICE	STATUS(1)	PACKAGE TYPE	PACKAGE DRAWING	PINS	PACKAGE QTY
ADS1204IRHBR	ACTIVE	QFN	RHB	32	3000
ADS1204IRHBT	ACTIVE	QFN	RHB	32	250

(1) The marketing status values are defined as follows:

ACTIVE: Product device recommended for new designs.

LIFEBUY: TI has announced that the device will be discontinued, and a lifetime-buy period is in effect.

NRND: Not recommended for new designs. Device is in production to support existing customers, but TI does not recommend using this part in a new design.

PREVIEW: Device has been announced but is not in production. Samples may or may not be available.

OBSOLETE: TI has discontinued the production of the device.

RHB (S-PQFP-N32)

PLASTIC QUAD FLATPACK



- NOTES:
- All linear dimensions are in millimeters.
 - This drawing is subject to change without notice.
 - QFN (Quad Flatpack No-Lead) Package configuration.
 - The Package thermal pad must be soldered to the board for thermal and mechanical performance. See product data sheet for details regarding the exposed thermal pad dimensions.
 - Falls within JEDEC MO-220.

IMPORTANT NOTICE

Texas Instruments Incorporated and its subsidiaries (TI) reserve the right to make corrections, modifications, enhancements, improvements, and other changes to its products and services at any time and to discontinue any product or service without notice. Customers should obtain the latest relevant information before placing orders and should verify that such information is current and complete. All products are sold subject to TI's terms and conditions of sale supplied at the time of order acknowledgment.

TI warrants performance of its hardware products to the specifications applicable at the time of sale in accordance with TI's standard warranty. Testing and other quality control techniques are used to the extent TI deems necessary to support this warranty. Except where mandated by government requirements, testing of all parameters of each product is not necessarily performed.

TI assumes no liability for applications assistance or customer product design. Customers are responsible for their products and applications using TI components. To minimize the risks associated with customer products and applications, customers should provide adequate design and operating safeguards.

TI does not warrant or represent that any license, either express or implied, is granted under any TI patent right, copyright, mask work right, or other TI intellectual property right relating to any combination, machine, or process in which TI products or services are used. Information published by TI regarding third-party products or services does not constitute a license from TI to use such products or services or a warranty or endorsement thereof. Use of such information may require a license from a third party under the patents or other intellectual property of the third party, or a license from TI under the patents or other intellectual property of TI.

Reproduction of information in TI data books or data sheets is permissible only if reproduction is without alteration and is accompanied by all associated warranties, conditions, limitations, and notices. Reproduction of this information with alteration is an unfair and deceptive business practice. TI is not responsible or liable for such altered documentation.

Resale of TI products or services with statements different from or beyond the parameters stated by TI for that product or service voids all express and any implied warranties for the associated TI product or service and is an unfair and deceptive business practice. TI is not responsible or liable for any such statements.

Following are URLs where you can obtain information on other Texas Instruments products and application solutions:

Products		Applications	
Amplifiers	amplifier.ti.com	Audio	www.ti.com/audio
Data Converters	dataconverter.ti.com	Automotive	www.ti.com/automotive
DSP	dsp.ti.com	Broadband	www.ti.com/broadband
Interface	interface.ti.com	Digital Control	www.ti.com/digitalcontrol
Logic	logic.ti.com	Military	www.ti.com/military
Power Mgmt	power.ti.com	Optical Networking	www.ti.com/opticalnetwork
Microcontrollers	microcontroller.ti.com	Security	www.ti.com/security
		Telephony	www.ti.com/telephony
		Video & Imaging	www.ti.com/video
		Wireless	www.ti.com/wireless

Mailing Address: Texas Instruments
Post Office Box 655303 Dallas, Texas 75265