

Blade Terminal & Special Purpose Fuses

482 Series Alarm Indicating Fuseholder

The Alarm Indicating Fuseholder is designed for use with the Littelfuse 481 Alarm Fuse. It is designed to accept other manufacturer's replacement fuses as well.

- Ideal for telecommunications and control panel circuits.

The fuseholder is available in three versions:

PCB Mount: Can be soldered directly to a printed circuit board. Rated up to 15 amperes. Available in single pole or gangable up to 20 poles. Fuseholder is keyed to prevent insertion of 20 ampere fuse.

Panel Mount – 20A: Available in a single pole version rated up to 20 amperes. Large leads for wire attachment.

Panel Mount – 15A: 15 ampere gangable version of fuseholder is keyed to prevent insertion of 20 ampere fuse.

AGENCY APPROVALS: Recognized under the Components Program of Underwriters Laboratories and the Components Acceptance Program of CSA.

AGENCY FILE NUMBERS: UL E14721, CSA LR 29862

SPECIFICATIONS:

PCB Mount and Panel Mount – 15A: Rated at 15 amperes up to 125 VAC/VDC

Body Material: Thermoplastic

Fuse Terminals: Tin-plated Beryllium Copper

Alarm Terminal: Tin-plated Brass

Operating Temperature: -55°C to + 125°C

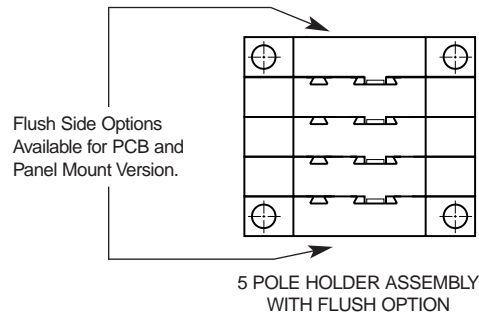
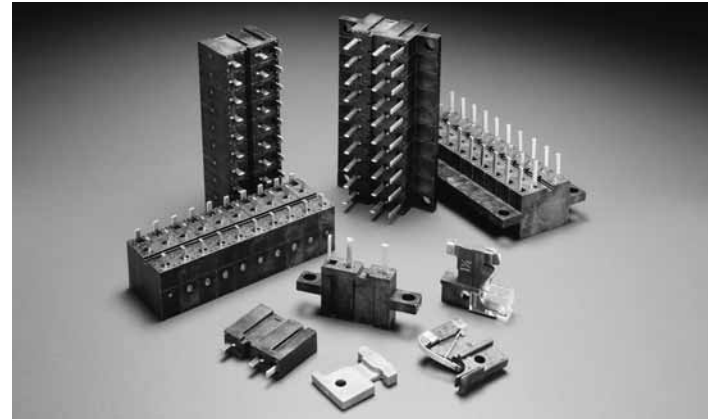
Panel Mount – 20A: Rated at 20 amperes up to 125 VAC/VDC

Body Material: Black Phenolic

Fuse Terminals: Tin-plated Beryllium Copper

Alarm Terminal: Tin-plated Brass

Operating Temperature: -40°C to + 85°C

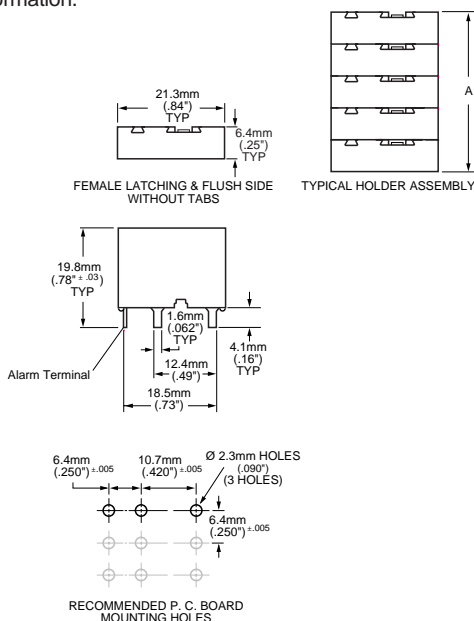


12
BLADE TERMINAL AND SPECIAL PURPOSE FUSES

482 Series PCB Mount Fuseholder



PCB Mount – 15A: 15 ampere gangable version of fuseholder is keyed to prevent insertion of 20 ampere fuse. Please contact Littelfuse for ordering information.



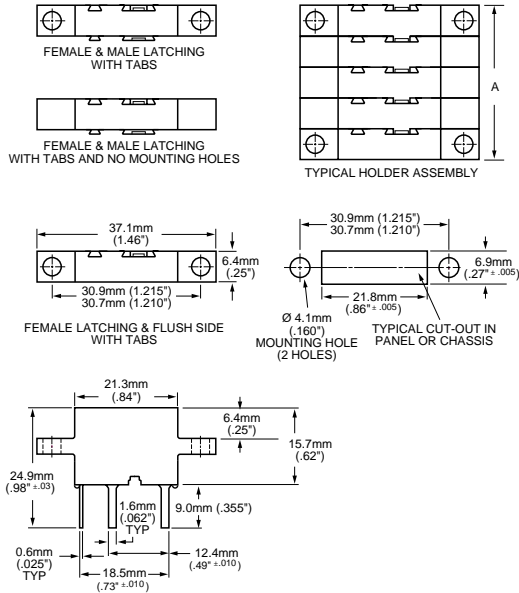
ORDERING INFORMATION: PCB Mount

| Catalog Number PCB Mount | Catalog Number PCB Mount Flush | Type | Length (A) |
|--------------------------|--------------------------------|---------|------------------|
| 0482 0001ZXB | 0482 0001ZXB | 1 Pole | 6.40mm (.25") |
| 0482 0002ZXB | 0482 0002ZXB | 2 Pole | 12.80mm (.50") |
| 0482 0003ZXB | 0482 0003ZXB | 3 Pole | 19.05mm (.75") |
| 0482 0004ZXB | 0482 0004ZXB | 4 Pole | 25.40mm (1.0") |
| 0482 0005ZXB | 0482 0005ZXB | 5 Pole | 31.75mm (1.25") |
| 0482 0006ZXB | 0482 0006ZXB | 6 Pole | 38.10mm (1.50") |
| 0482 0007ZXB | 0482 0007ZXB | 7 Pole | 44.45mm (1.75") |
| 0482 0008ZXB | 0482 0008ZXB | 8 Pole | 50.80mm (2.00") |
| 0482 0009ZXB | 0482 0009ZXB | 9 Pole | 57.15mm (2.25") |
| 0482 0010ZXB | 0482 0010ZXB | 10 Pole | 63.50mm (2.50") |
| 0482 0011ZXB | 0482 0011ZXB | 11 Pole | 69.85mm (2.75") |
| 0482 0012ZXB | 0482 0012ZXB | 12 Pole | 76.20mm (3.00") |
| 0482 0013ZXB | 0482 0013ZXB | 13 Pole | 82.55mm (3.25") |
| 0482 0014ZXB | 0482 0014ZXB | 14 Pole | 88.90mm (3.50") |
| 0482 0015ZXB | 0482 0015ZXB | 15 Pole | 95.25mm (3.75") |
| 0482 0016ZXB | 0482 0016ZXB | 16 Pole | 101.60mm (4.00") |
| 0482 0017ZXB | 0482 0017ZXB | 17 Pole | 107.95mm (4.25") |
| 0482 0018ZXB | 0482 0018ZXB | 18 Pole | 114.30mm (4.50") |
| 0482 0019ZXB | 0482 0019ZXB | 19 Pole | 120.65mm (4.75") |
| 0482 0020ZXB | 0482 0020ZXB | 20 Pole | 127.00mm (5.00") |

Blade Terminal & Special Purpose Fuses

482 Series Panel Mount Fuseholder

Panel Mount – 15A: 15 ampere gangable version of fuseholder is keyed to prevent insertion of 20 ampere fuse. Please contact Littelfuse for ordering information.



ORDERING INFORMATION: Panel Mount –15A

| Catalog Number Panel Mount | Catalog Number Panel Mount Flush | Type | Length (A) |
|----------------------------|----------------------------------|---------|------------------|
| 0482 0001ZXP | 0482 0001ZXPF | 1 Pole | 6.40mm (.25") |
| 0482 0002ZXP | 0482 0002ZXPF | 2 Pole | 12.80mm (.50") |
| 0482 0003ZXP | 0482 0003ZXPF | 3 Pole | 19.05mm (.75") |
| 0482 0004ZXP | 0482 0004ZXPF | 4 Pole | 25.40mm (1.0") |
| 0482 0005ZXP | 0482 0005ZXPF | 5 Pole | 31.75mm (1.25") |
| 0482 0006ZXP | 0482 0006ZXPF | 6 Pole | 38.10mm (1.50") |
| 0482 0007ZXP | 0482 0007ZXPF | 7 Pole | 44.45mm (1.75") |
| 0482 0008ZXP | 0482 0008ZXPF | 8 Pole | 50.80mm (2.00") |
| 0482 0009ZXP | 0482 0009ZXPF | 9 Pole | 57.15mm (2.25") |
| 0482 00010ZXP | 0482 00010ZXPF | 10 Pole | 63.50mm (2.50") |
| 0482 00011ZXP | 0482 00011ZXPF | 11 Pole | 69.85mm (2.75") |
| 0482 00012ZXP | 0482 00012ZXPF | 12 Pole | 76.20mm (3.00") |
| 0482 00013ZXP | 0482 00013ZXPF | 13 Pole | 82.55mm (3.25") |
| 0482 00014ZXP | 0482 00014ZXPF | 14 Pole | 88.90mm (3.50") |
| 0482 00015ZXP | 0482 00015ZXPF | 15 Pole | 95.25mm (3.75") |
| 0482 00016ZXP | 0482 00016ZXPF | 16 Pole | 101.60mm (4.00") |
| 0482 00017ZXP | 0482 00017ZXPF | 17 Pole | 107.95mm (4.25") |
| 0482 00018ZXP | 0482 00018ZXPF | 18 Pole | 114.30mm (4.50") |
| 0482 00019ZXP | 0482 00019ZXPF | 19 Pole | 120.65mm (4.75") |
| 0482 00020ZXP | 0482 00020ZXPF | 20 Pole | 127.00mm (5.00") |

482 Series 20A Panel Mount Fuseholder

Panel Mount – 20A: The 20 ampere single pole holder is designed to accept all fuse ratings up to 20 amperes. 20 ampere fuseholders should be spaced 12.7mm (0.50) apart when loaded to maximum capacity, center to center to insure proper heat dissipation under normal operation. Heatsinking may be required for operation in higher ambient temperatures or alternate configurations.

AGENCY APPROVALS: Recognized under the Components Program of Underwriters Laboratories and the Components Acceptance Program of CSA.

AGENCY FILE NUMBERS: UL E71611, CSA LR 29862

SPECIFICATIONS:

Panel Mount – 20A: Rated at 20 amperes up to 125 VAC/VDC

Body Material: Black Phenolic

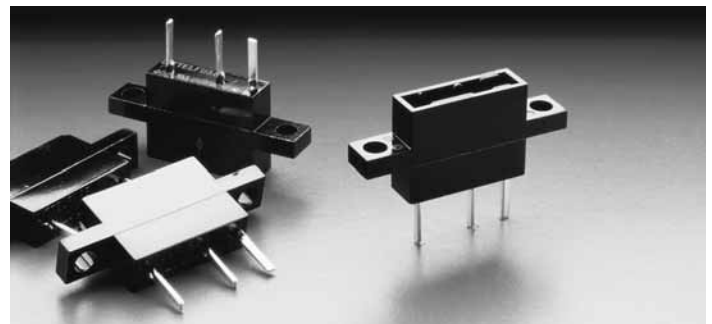
Fuse Terminals: Tin-plated Copper Alloy

Alarm Terminal: Tin-plated Copper Alloy

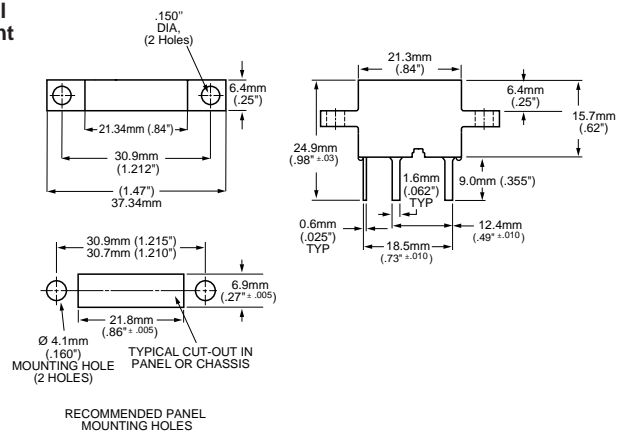
Operating Temperature: -40° to +85°C

ORDERING INFORMATION:

CATALOG NUMBER: 0482 2001ZXP



Panel Mount



* For additional terminal lengths please contact Littelfuse.