

143 193 -

FEATURES AND SPECIFICATIONS

Features and Benefits

- Double cantilever design
- Single beam terminal is available for low insertion force 7821 Series (contact Inside Sales)
- For low-level current and voltage use Gold plating
- Phosphor Bronze is recommended for rated current
- Complete line of terminal crimping equipment available (see Application Tooling section of this catalog)

Reference Information

Product Specification: PS-08-50
 Packaging: Reel or bag
 Tooling Information: See crimp tooling section
 UL File No.: E29179
 CSA File No.: LR19980
 Use With: 2139, 3069 and 41695
 Designed In: Inches

molex® 3.96mm (.156") Pitch
KK®

Crimp Terminal
2478/2578

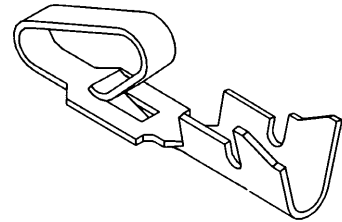
Electrical
 Voltage: 250V AC max.
 Current:

| AWG | 18 | 20 | 22 | 24 | 26 |
|--------------------------|------|------|------|------|------|
| Phosphor Bronze (A) max. | 7.00 | 6.25 | 5.50 | 5.00 | 4.50 |
| Brass (A) max. | 5.00 | 4.75 | 4.50 | 4.25 | 4.00 |

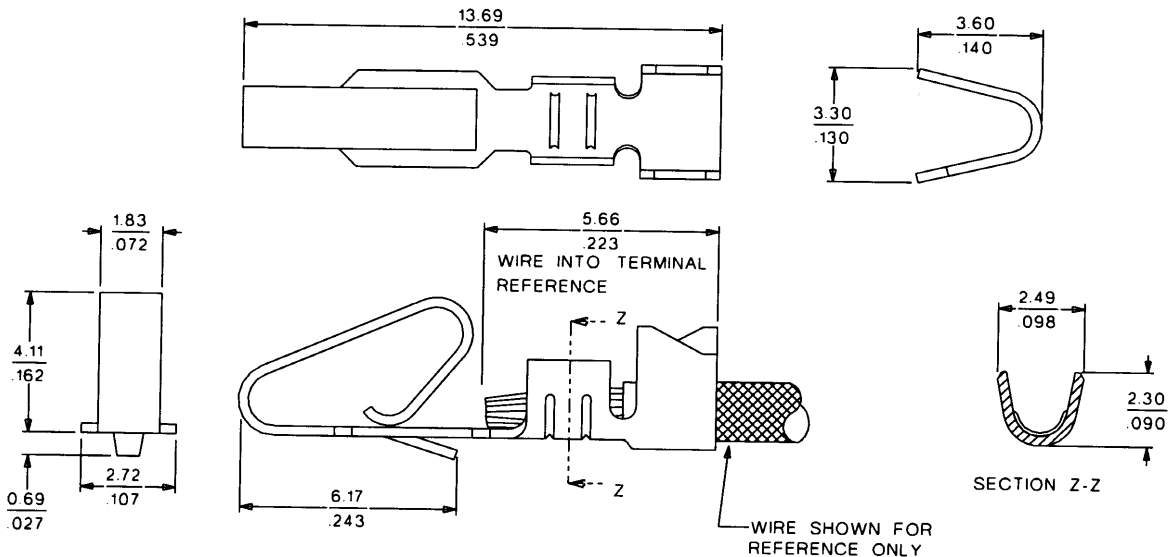
Contact Resistance: 6mΩ max.
 Dielectric Withstanding Voltage: 1500V AC
 Insulation Resistance: 50K MΩ min.

Mechanical
 Contact Insertion Force: 1.8kg (4 lb) max.
 Contact Retention to Housing: 3.6kg (8 lb) min.
 Wire Pull-Out Force: 20 lb max./18 AWG
 Normal Force: 0.75kg (1.65 lb)
 Durability: 25 cycles max.

Physical
 Contact: Brass or Phosphor Bronze
 Plating: See Table
 Temperature: Phosphor Bronze—0 to +75°C
 Brass—0 to +50°C



PCB and Wire Connectors



ORDERING INFORMATION AND DIMENSIONS

| Wire Size AWG | Insulation OD | Series | Material | Order No. | | | | | |
|------------------|------------------|--------|-----------------|--------------|--------------|--------------------|--------------|--------------------|--------------|
| | | | | Tin Plating | | Gold Plating No. 1 | | Gold Plating No. 2 | |
| | | | | Bag | Reel | Bag | Reel | Bag | Reel |
| 18-20 | 2.79 (.110) max. | 2478 | Phosphor Bronze | • 08-52-0072 | • 08-52-0071 | • 08-58-0122 | • 08-58-0121 | • 08-65-0115 | • 08-65-0114 |
| 18-20 | 2.79 (.110) max. | 2478 | Brass | 08-50-0106 | 08-50-0105 | 08-56-0106 | 08-56-0105 | 08-55-0104 | 08-55-0103 |
| 22-26 | 1.65 (.065) max. | 2578 | Phosphor Bronze | • 08-50-0134 | • 08-50-0133 | • 08-58-0126 | • 08-58-0125 | • 08-65-0117 | • 08-65-0116 |
| 22-26 | 1.65 (.065) max. | 2578 | Brass | 08-50-0108 | 08-50-0107 | 08-56-0108 | 08-56-0107 | 08-55-0106 | 08-55-0105 |

• US Standard Product, available through Molex franchised distributors
 Recommended wire range assumes stranded wire
 Plating No. 1: 20µ" min. Gold in contact area with a flash overall
 Plating No. 2: 15µ" min. Gold in contact area only